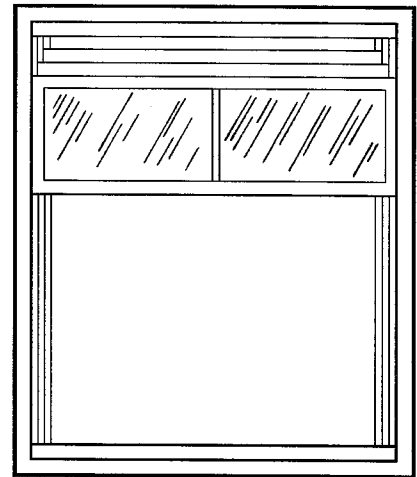
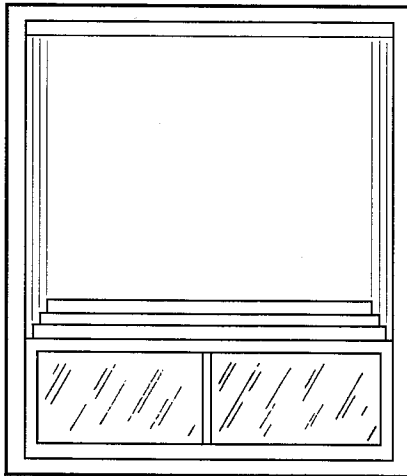
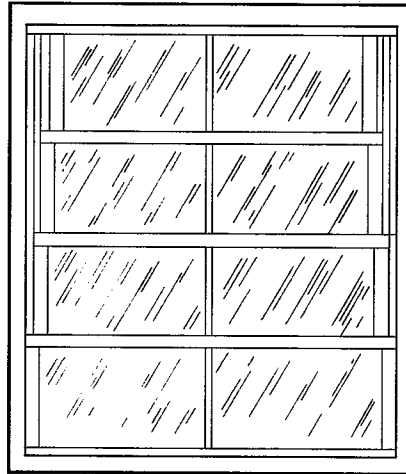


Amazing EZ-SCREEN
PORCH WINDOWS
LET THE BREEZE IN • KEEP THE WEATHER OUT

VERTICAL FOUR-TRACK



Amazing EZ-SCREEN PORCH WINDOWS

LET THE BREEZE IN • KEEP THE WEATHER OUT

EZE-BREEZE VERTICAL FOUR-TRACK

Since the screen on a screen enclosure is permanently affixed to the outside of the room, the vents of other vinyl units must be removed to enable cleaning. Due to the "step down" design of the Eze-Breeze vertical four-track units, the vents can be easily tilted in for cleaning.



The all aluminum extruded main frame guarantees strength and the fully weatherstripped, interlocking vents help to reduce air passage and prevent rattling.

A vertical four-track frame is also available with three vents. This is generally used when the width of the opening exceeds the height. The vertical three vent is the same price as the four vent vertical four-track.

All Eze-Breeze vertical four-tracks will have a vertical spreader bar. (Exception: On units less than 30" in width, the spreader bar can be left out if customer requests.)

VINYL GLAZING

The vinyl glazing used in Eze-Breeze Sliding Panels is lighter in weight and more affordable than glass. The tough, 10-mil vinyl offers a panoramic view, while keeping wind and weather out. If accidentally distorted, the vinyl will return to its original shape within minutes. Clean with mild dishwashing detergent and a clear water rinse. For best results, we recommend a final cleaning with PGT® Vinyl Cleaner and Preservative. Homeowners should remove vents if winds exceed 65 mph.

Like the screen enclosure itself, vinyl enclosures are not hurricane proof and in the event of high winds, vents should be removed or raised to prevent damage. Floor covering should be weather resistant.

Notice: Vinyl has inherent characteristics such as bubbles, blurs and hairline scratches. These are to be expected and not considered defects.

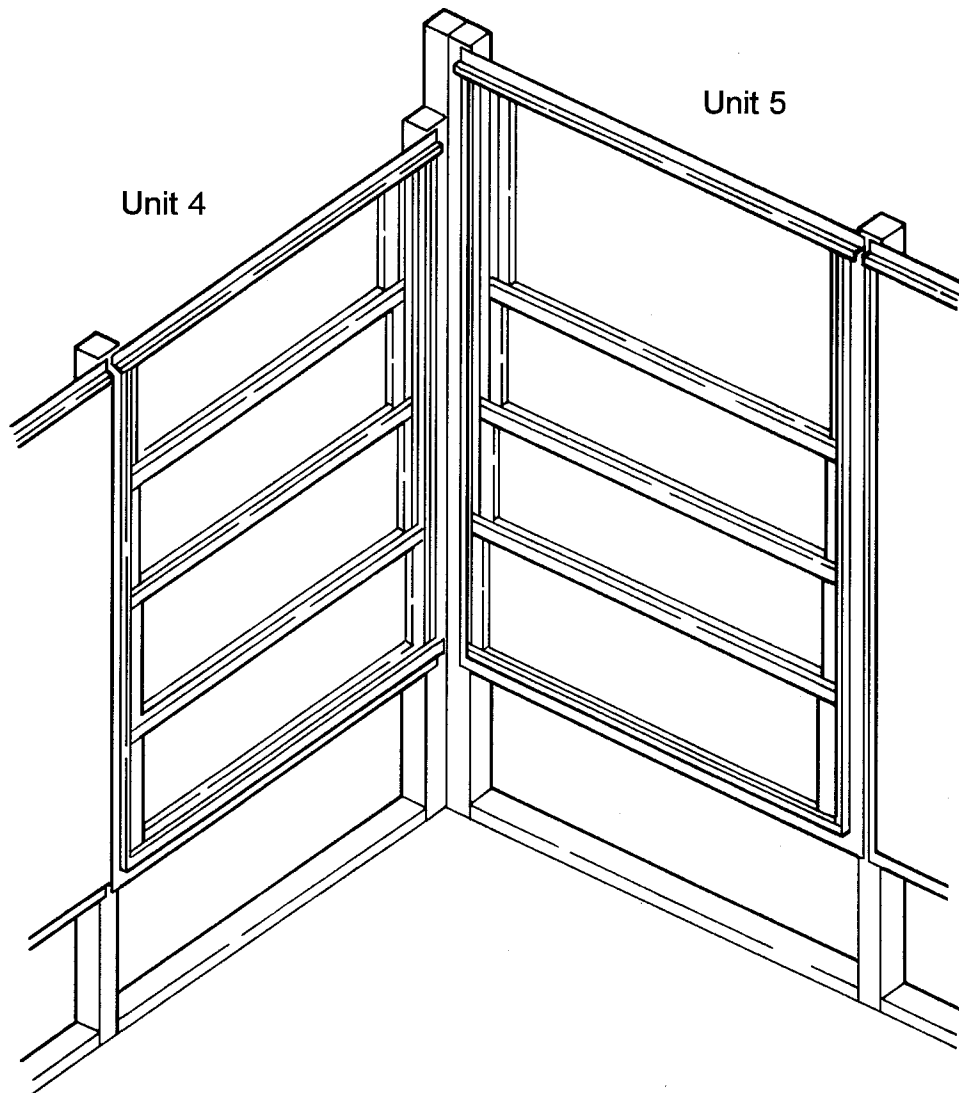
Amazing EZ-SCREEN PORCH WINDOWS

LET THE BREEZE IN • KEEP THE WEATHER OUT

VERTICAL FOUR-TRACK UNEQUAL VENTS

Often when converting a screen enclosure to a vinyl enclosure, the openings of the side walls may be lesser in height than the support wall. It may then be desirable to order unequal vents and make the room as appealing to the eye as possible. To order the example below, the wording would be: Unit 5 unequal top vent to match other vents in Unit 4.

There will be an additional charge for each unit with unequal vents. Refer to Vertical Four-Track Price Sheet.



Amazing EZ-SCREEN PORCH WINDOWS

LET THE BREEZE IN • KEEP THE WEATHER OUT

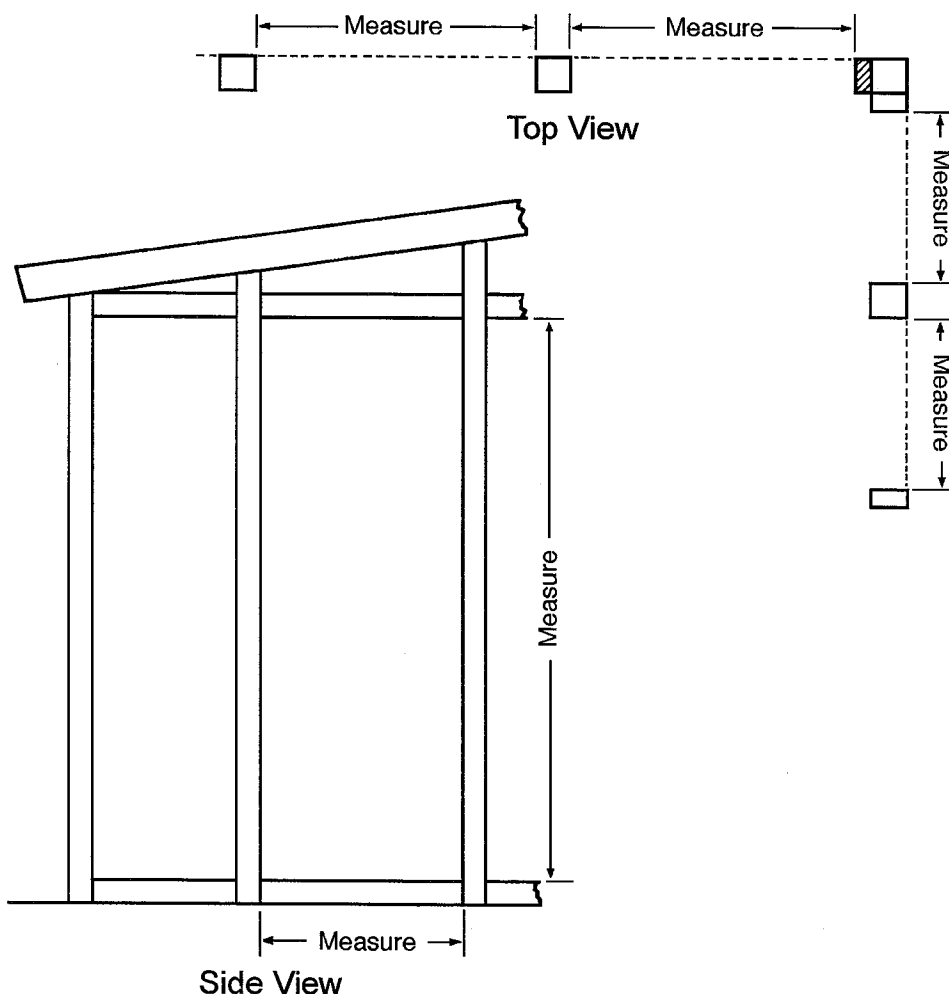
MEASURING THE VERTICAL FOUR-TRACK INSIDE MOUNT

When ordering the Eze-Breeze vertical four-track unit and most other PGT units, we prefer to work with the smallest daylight opening, taking the order width first and then height.

When measuring, it is customary to start at one end and work your way around the room, numbering openings in sequence. Upon request, we will number the units in the same order they are given to us, thus avoiding confusion at installation time.

It is necessary to have a one inch mounting surface in the corners on which to attach the mounting flange of the unit (see drawing below). In other forms of construction this might be called a nailer.

When manufactured, the part of the unit that fits into the opening will be approximately 3/8" smaller than the opening size given to us. This is to allow for out-of-square conditions.



Amazing EZ-SCREEN PORCH WINDOWS

LET THE BREEZE IN • KEEP THE WEATHER OUT

INSTALLATION INSTRUCTIONS VERTICAL FOUR-TRACK INSIDE MOUNT

Step One

Set unit into opening dry (uncaulked). DO NOT REMOVE INSTALLATION CLIP IN THE UNIT. Be sure the unit fits properly and that the lip is flush all the way around.

Remove the unit and carefully caulk the existing opening. Proper caulking is one of the most important elements of installation. Pay special attention to the joints, where the horizontal member meets the vertical.

Main frame should be as square as possible within the opening. Make sure vents are all the way down. Place unit in opening again and place a screw in each corner (A).

This unit has been shipped with metal clips and plastic spacers positioned to assist you during installation. On the top right and left sides of the top vent you will see thin plastic spacers adjacent to the vent latches and main jamb. The purpose of these spacers is to maintain proper vent clearance during installation.

Place screw in left main jamb adjacent to the top of the bottom vent (B). Place another screw in right main jamb (C). Using a screwdriver, remove stainless steel clips, located at (B) and (C). DO NOT REMOVE TOP CLIPS.

Step Two

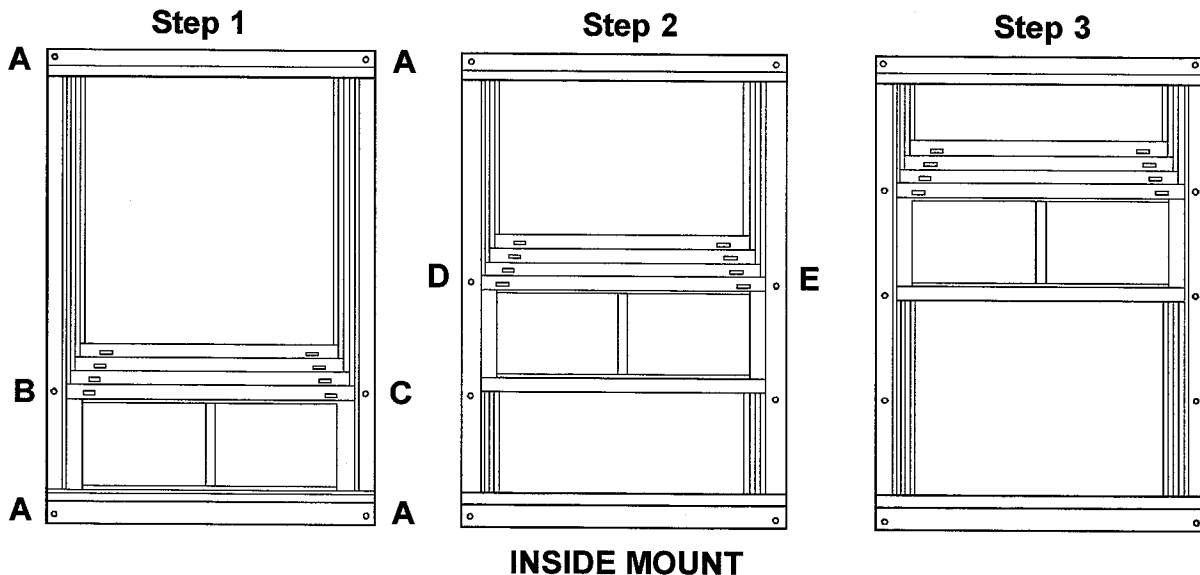
Next, raise all vents, leaving the spacers in place until the lower edge of the bottom vent is even with the top screws you just installed (B & C). Making sure spacers are snug, install screws on each side of the frame at the top of the vent (D & E).

Step Three

Repeat this procedure until you have completed the installation by installing the top screws. (Maximum three screws in each jamb.)

Step Four

When finished, remove and discard the plastic spacers. Install the balance of the screws in the main header and sill.



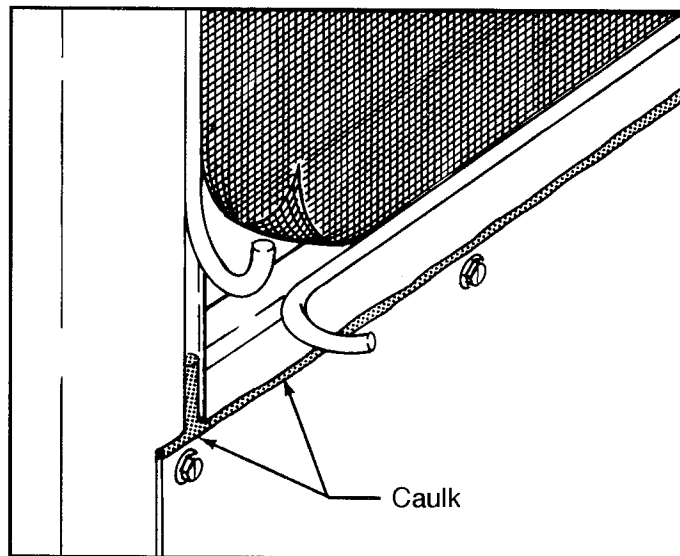
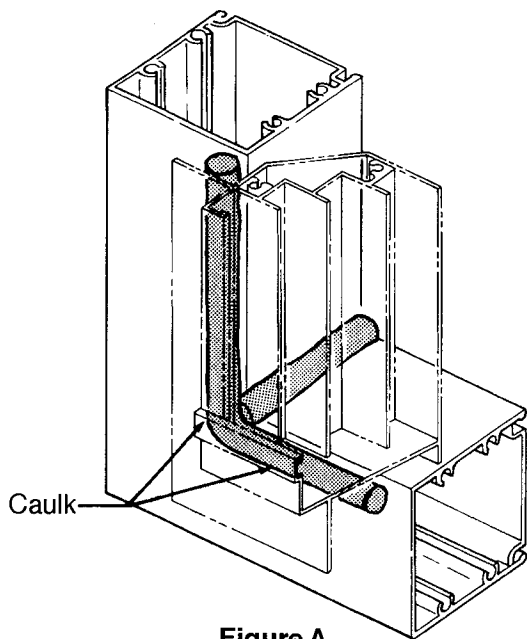
Amazing EZ-SCREEN PORCH WINDOWS

LET THE BREEZE IN • KEEP THE WEATHER OUT

CAULKING INSTRUCTIONS VERTICAL FOUR-TRACK INSIDE MOUNT

Before installing vinyl-glazed units, a bead of caulk should be run around the face of the opening, down both sides and across the bottom. Also run a bead where the horizontal bottom member meets the upright post. See Figure A.

After installing vinyl-glazed units, pull screen loose at corners of openings and force caulk behind kickplate into spline groove. Also run a bead across the top of the kickplate. See Figure B.



Amazing EZ-SCREEN PORCH WINDOWS

LET THE BREEZE IN • KEEP THE WEATHER OUT

VERTICAL FOUR-TRACK INSIDE MOUNT

(Inside, looking out)

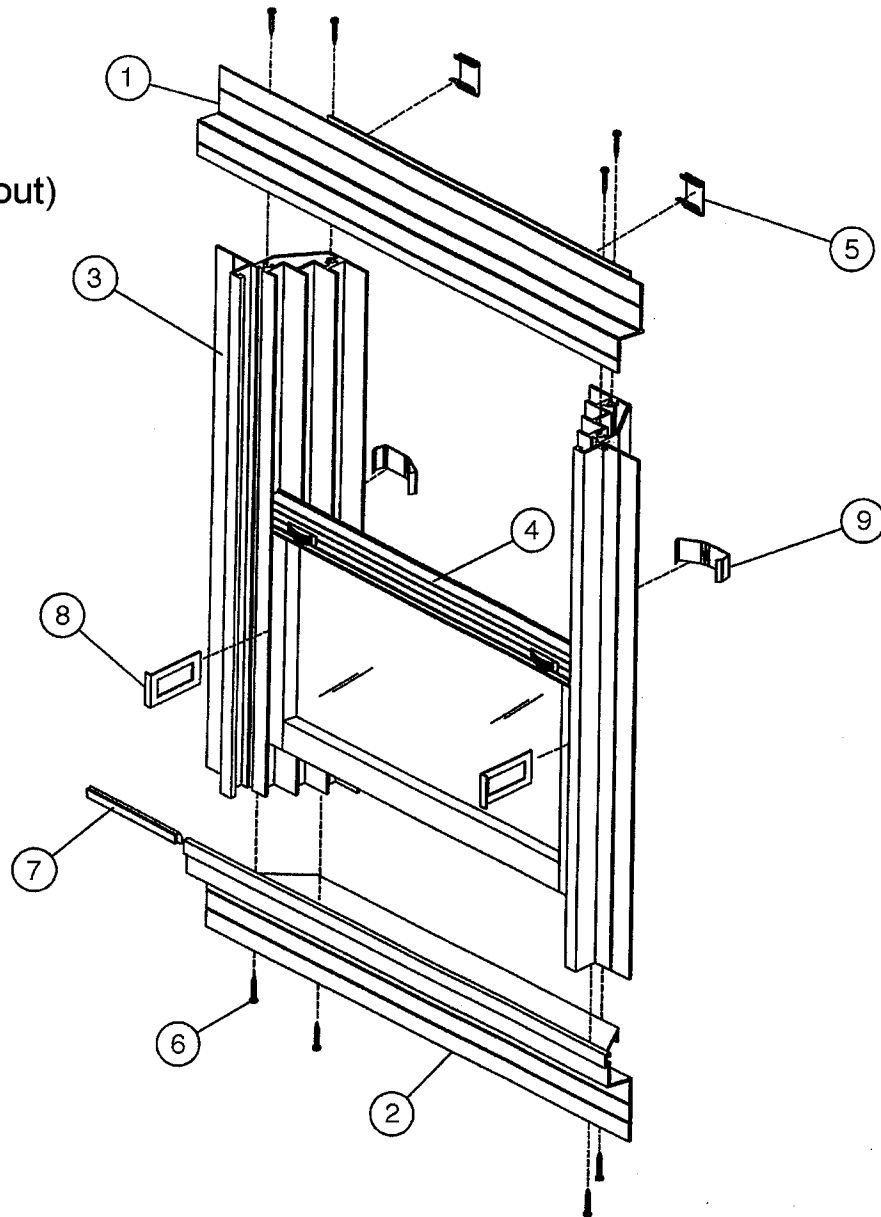


Figure No.	Description	Quantity per Unit
1	Main frame header	1
2	Main frame sill	1
3	Main frame jamb	2
4	Vent assembly	3 or 4
5	Top vent latch (do not remove)	2
6	#8 x 1/2 Assembly screw square drive	8
7	Sill weatherstrip .200 x .187 pile	
8	Installation clip (remove after unit installed)	
9	Shipping clip (remove after unit installed)	

Amazing EZ-SCREEN PORCH WINDOWS

LET THE BREEZE IN • KEEP THE WEATHER OUT

VERTICAL FOUR-TRACK VENT ASSEMBLY

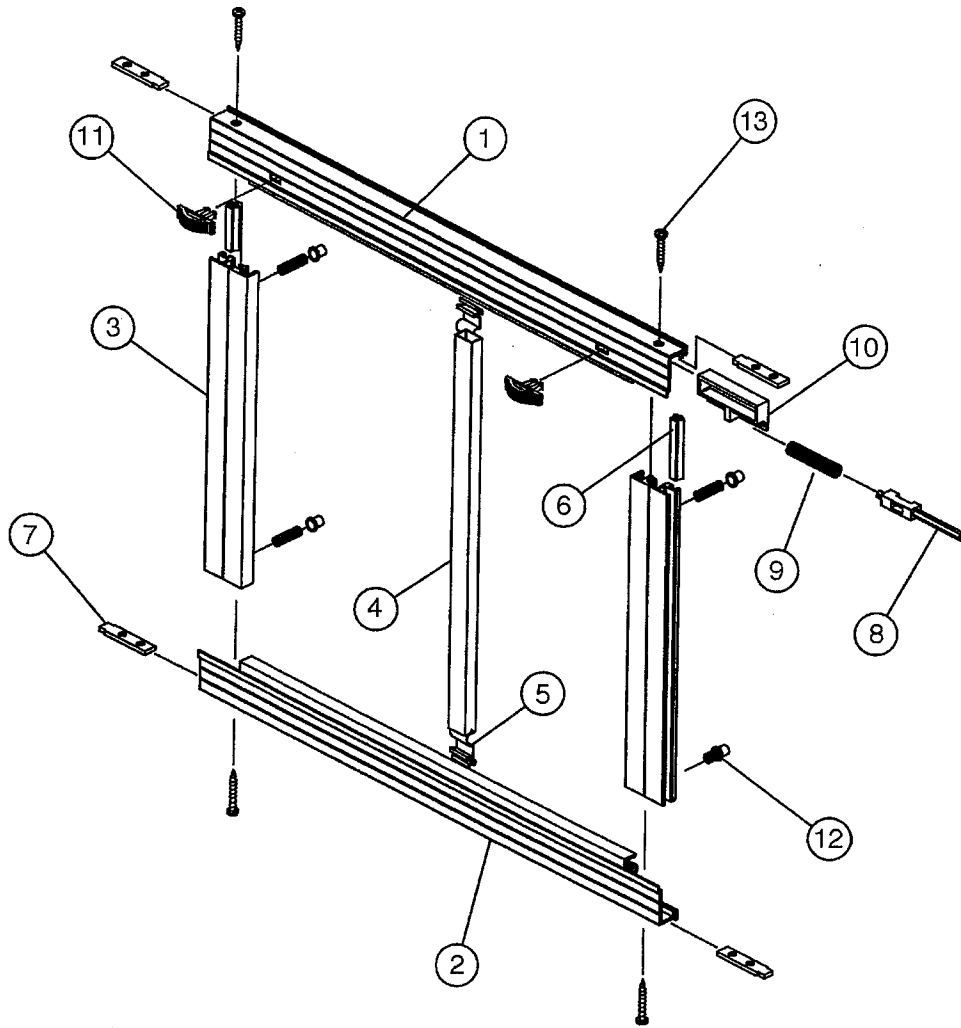


Figure No.	Description	Quantity per Unit
1	Vent header	1
2	Vent sill	1
3	Vent jamb	2
4	Spreader bar	Multiple
5	Spreader bar clip	2 per spreader bar
6	Jamb weatherstripping .290 finseal	2
7	Vent spacer	4
8	Slide bolt (side bolt assembly)	2
9	Slide bolt spring (slide bolt assembly)	2
10	Slide bolt spring stop block	2
11	Thumb latch	2
12	Spring cap assembly	4
13	#8 x 1/2 assembly screw square drive	
14	V-spline (not shown)	2 (V2T)
15	#8 x 1/2 hex head tek	

Amazing EZ-SCREEN PORCH WINDOWS

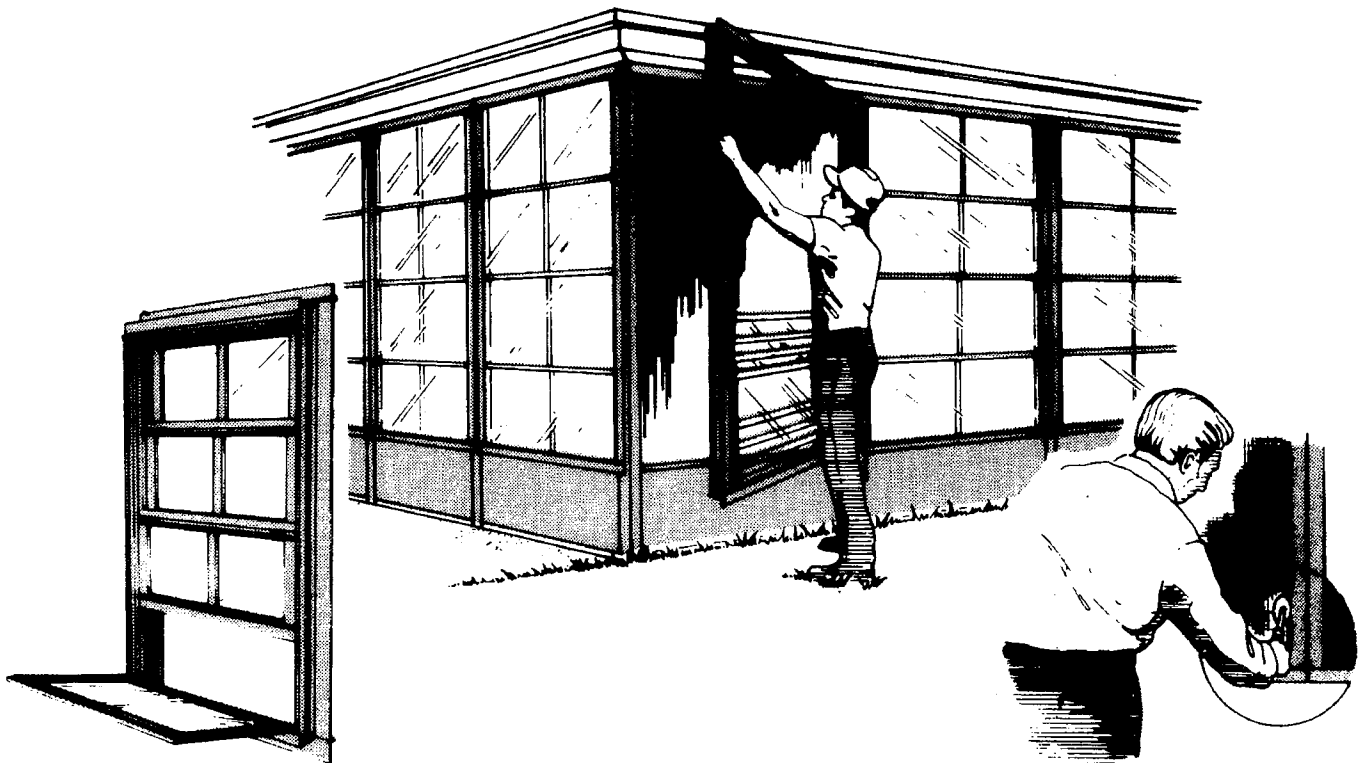
LET THE BREEZE IN • KEEP THE WEATHER OUT

VERTICAL FOUR-TRACK OUTSIDE MOUNT

The outside mount vinyl unit assembly is priced the same as our inside mount. It has the identical easy-to-clean *tilt-out* feature.

Ideal for new construction, the outside mount is also easy to install in existing screen enclosures. When inserting the unit into the opening from the outside, there is no need for an additional 1" mounting surface in corners and no additional framing is needed when the units are installed on 2 x 3 posts. Best of all, the outside mount virtually eliminates leaks. A one inch wide flange overlaps the enclosure frame. When properly caulked during installation, a near perfect seal is formed to keep out the rain.

If a screen is desired, specify when placing order.



Amazing EZ-SCREEN PORCH WINDOWS

LET THE BREEZE IN • KEEP THE WEATHER OUT

MEASURING THE VERTICAL FOUR-TRACK OUTSIDE MOUNT

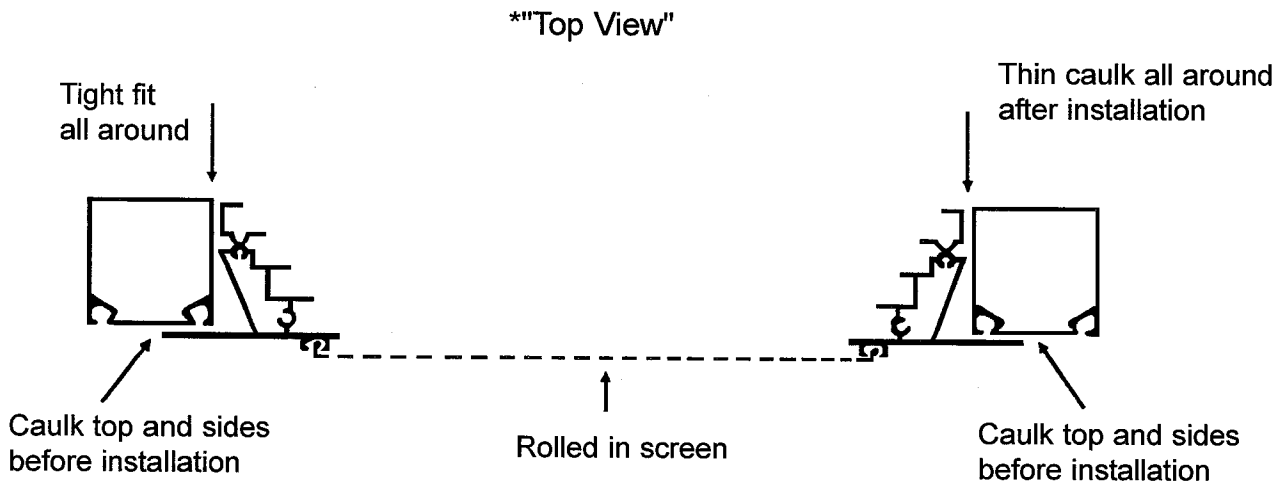
IMPORTANT! These units are manufactured to extremely close tolerance – only 1/8" smaller than the opening size given to us. Your opening must be square and "slop" is limited.

***Please study the "TOP VIEW" illustration carefully.**

TO MEASURE: Measure the width of the daylight opening in three places and record the smallest number. Measure the height in three places and record smallest number. When you phone in your order be sure to specify OUTSIDE MOUNT and give the smallest recorded dimensions, width by height.

When measuring, it is customary to start at one end and work your way around the room, numbering openings in sequence. Upon request, we will number the units in the same order they are given to us, thus avoiding confusion at installation time.

REMEMBER: This is a TIGHT FIT! There is no inside trim; the area between the main frame and post is dressed out with a thin bead of caulking after installation. For this reason the unit should be centered, evenly, in the opening.



Amazing EZ-SCREEN PORCH WINDOWS

LET THE BREEZE IN • KEEP THE WEATHER OUT

INSTALLATION INSTRUCTIONS VERTICAL FOUR-TRACK OUTSIDE MOUNT

CAUTION: DO NOT roll in the screen until it has been installed using the following procedures. (Pre-rolling the screen may distort the jamb and bind the vents or pull a wrinkle in the screen during installation.)

Step One

Set unit into opening dry (uncaulked). DO NOT REMOVE INSTALLATION CLIP IN THE UNIT. Be sure the window fits properly.

Remove the unit and carefully caulk the existing opening. Proper caulking is one of the most important elements of installation. Pay close attention to the joints, where the horizontal member meets the vertical.

Main frame should be as square as possible within the opening. Make sure vents are all the way down. Place unit in opening again and place a screw in each corner (A).

This unit has been shipped with plastic spacers positioned to assist you during installation. On the top left and right sides of the top vent you will see thin plastic spacers adjacent to the vent latches and the main jamb. The purpose of these spacers is to maintain proper vent clearance during installation.

Place screw in left main jamb adjacent to the top of the bottom vent (B). Place another screw in right main jamb (C).

Step Two

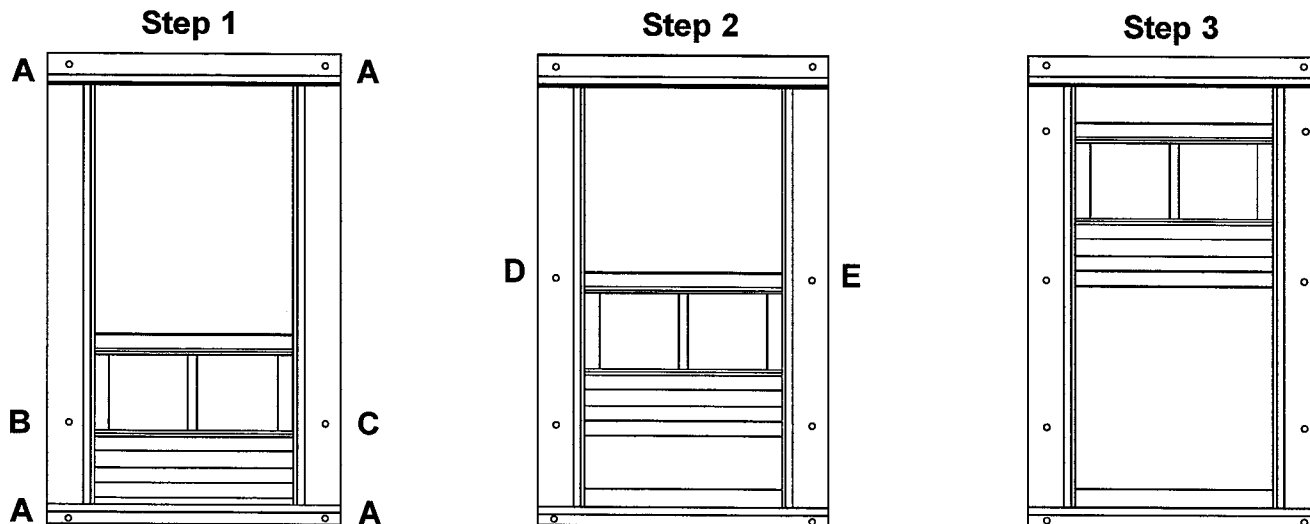
Next, raise all vents, leaving the spacers in place until lower edge of the vent is even with the top screws you just installed (B & C). Making sure spacers are snug, install screws on each side of the frame at the top of the vent (D & E).

Step Three

Repeat the procedure until you have completed the installation by installing the top screws. Maximum 3 screws in each jamb.

Step Four

When finished, remove and discard all plastic spacers. Install the balance of the screws in the main header and sill.



OUTSIDE MOUNT

Amazing EZ-SCREEN PORCH WINDOWS

LET THE BREEZE IN • KEEP THE WEATHER OUT

CAULKING INSTRUCTIONS VERTICAL FOUR-TRACK OUTSIDE MOUNT

Before installing vinyl-glazed units, a bead of caulk should be run around the face of the opening, down both sides and across the bottom. Also run a bead where the horizontal bottom member meets the upright post. See Figure A.

