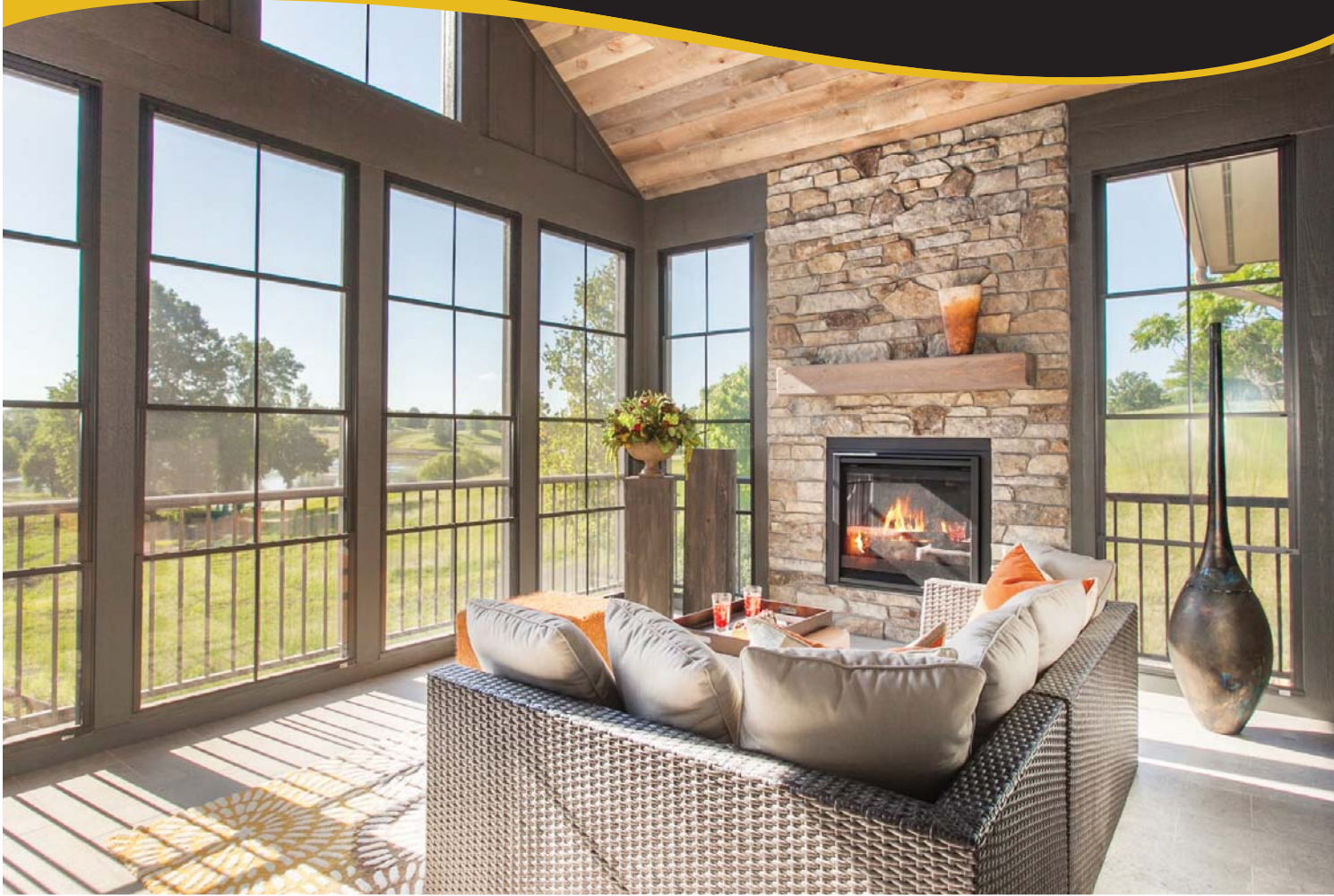


Product Overview & Installation Guide

Amazing EZ-SCREEN™
PORCH WINDOWS
A ROOM FOR 3 1/2 SEASONS



Amazing EZ-SCREEN™
PORCH WINDOWS
A ROOM FOR 3 1/2 SEASONS

Thank you for considering our Amazing EZ Screen Porch Windows as an option for your screen porch project. We are committed to providing our customers with a product that has been installed and tested in porches around the United States and Canada for over three decades. Our team is made up of some of the best in our industry.

Our company specializes in one product; 3½ season screen porch windows. We understand the features, advantages and benefits as well as the limitations to our product very well. Our team is interested in what you want your porch to look like when the project is completed. Rest assured, we will do our best to provide you the 3½ season screen porch you're expecting. We would like to again thank you for considering our Amazing EZ Screen Porch Windows.

Amazing EZ-SCREEN™
PORCH WINDOWS
A ROOM FOR 3 1/2 SEASONS

401 North 3rd St., Suite #240
Mpls, MN 55401-1349
Cell (612) 490-2309
Office (612) 359-5800
Fax (612) 359-5801
terryj@ezporch.com • www.ezporch.com



Terry Jerylo
President

Your National Account Manager:

Your Twin Cities Area Representative:

Amazing EZ-SCREEN™
PORCH WINDOWS
A ROOM FOR 3 1/2 SEASONS

401 North 3rd St., Suite #240
Mpls, MN 55401-1349
Cell (612) 290-5711
Office (612) 359-5800
Fax (612) 359-5801
jeffh@ezporch.com • www.ezporch.com



Jeff Hitchcock
National Account Manager

Amazing EZ-SCREEN™
PORCH WINDOWS
A ROOM FOR 3 1/2 SEASONS

401 North 3rd St., Suite #240
Mpls, MN 55401-1349
Cell (763) 218-9331
Office (612) 359-5800
Fax (612) 359-5801
alex@ezporch.com • www.ezporch.com



Alex Fong
Sales & Service Representative

Screen Porch Option That's Affordable, Beautiful, & Durable.



Amazing EZ-SCREEN™ PORCH WINDOWS

A ROOM FOR 3 1/2 SEASONS

401 North Third Street,
Suite 240
Minneapolis, MN 55401
Phone: (612) 359-5800
Fax: (612) 359-5801
www.ezporch.com



Features, Advantages & Benefits

Amazing EZ-SCREEN™
PORCH WINDOWS
A ROOM FOR 3 1/2 SEASONS

Perfect for...existing porches or new construction.



OPEN... a true screen porch.



CLOSED... they provide protection from rain, bugs, snow, wind, and dust.

FEATURES:

54" x 113" Openings

We custom make our porch windows to fit any openings as large as 54" wide and 113" tall.

Indestructible Vinyl Panels

Our durable porch window panels are made of light weight indestructible 10-mil elastic vinyl.

EZ To Install

Our porch windows are easy to install. The tools required are a level, caulking gun and screw gun.

ADVANTAGES:

Protection

Our porch windows provide protection from the rain, bugs, snow, wind and dust.

75% Screen Opening

When our panels are open, you're provided with 75% screen opening – You're sitting in a screen porch! When our panels are closed, you're provided protection from the weather elements, thus allowing you to use your porch when you wish.

UV Protection

Our vinyl panels are manufactured with a UV inhibitor that guarantees them from hardening, yellowing, fogging, or cracking for ten years.

Quick Delivery

We provide an average 3 week delivery time – One of the best in the Custom Manufacturing Industry!

BENEFITS:

Cost Effective

Our porch windows are a cost effective way to provide you a flexible 3 1/2 season porch. Most of our individual porch windows cost less than \$350!

Flexibility

You now have the ability to use your porch when you want, not just when Mother Nature allows you to. Feel free to install comfortable furniture, a fireplace or infrared heating.

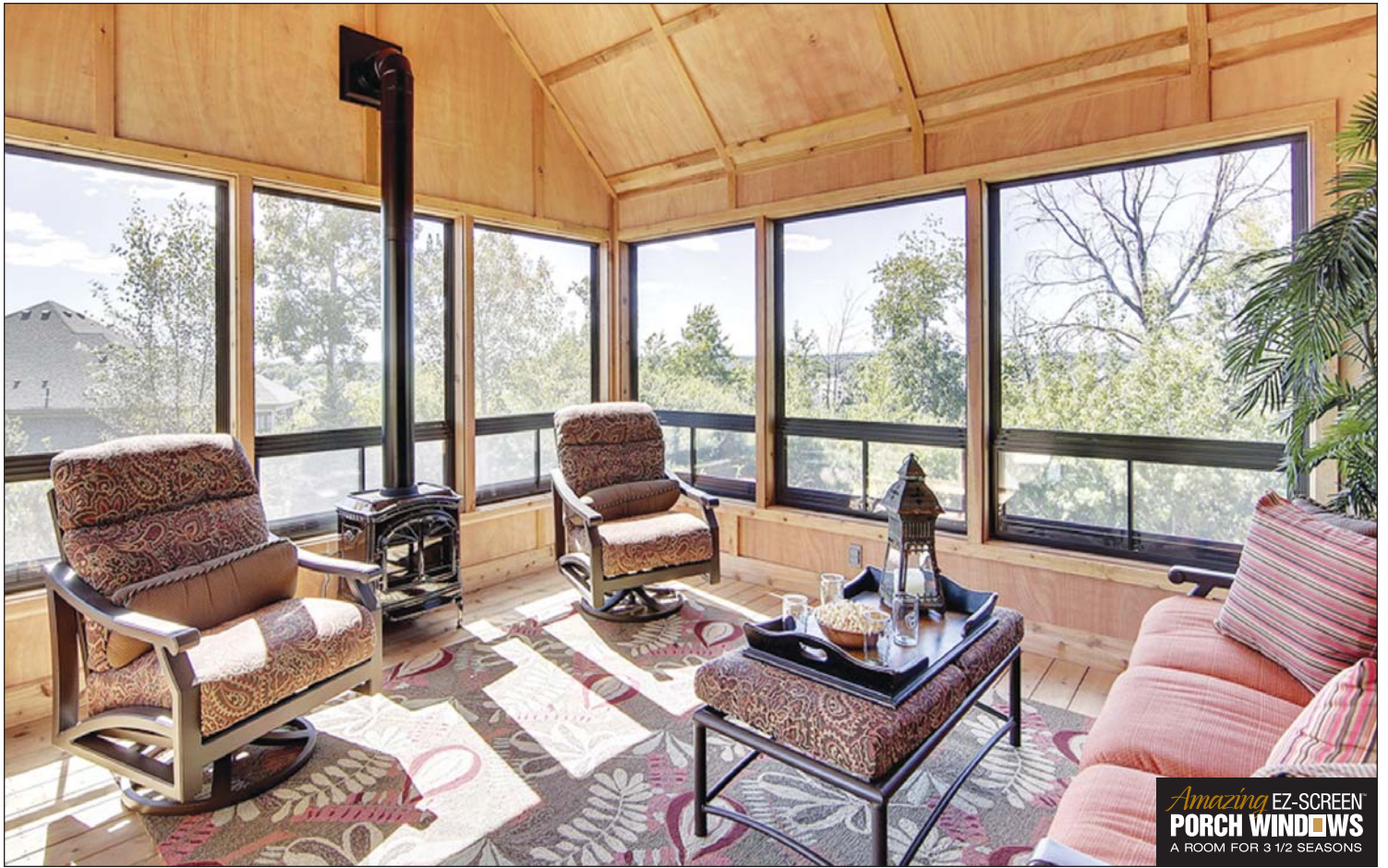
Extend The Time On Your New Porch

Our porch windows extend your porch season to 3 1/2 seasons. You can now use your new porch even during the cooler months of the year.









Amazing EZ-SCREEN
PORCH WINDOWS
A ROOM FOR 3 1/2 SEASONS



Amazing EZ-SCREEN
PORCH WINDOWS
A ROOM FOR 3 1/2 SEASONS



Amazing EZ-SCREEN
PORCH WINDOWS
A ROOM FOR 3 1/2 SEASONS



Amazing EZ-SCREEN
PORCH WINDOWS
A ROOM FOR 3 1/2 SEASONS





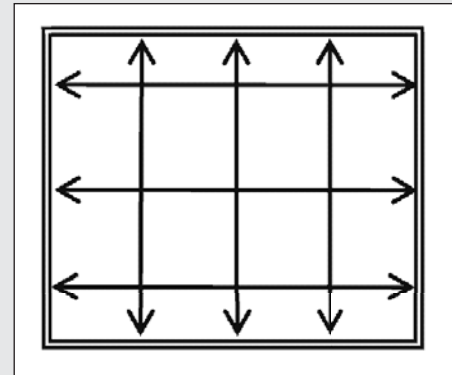
Product Overview

Measuring:

We recommend you measure in three locations for the width (top, middle and bottom) of each opening and three locations for the height (left, center and right side). We want to know the smallest width and smallest height for each of these measurements. We will then deduct 1/4" from these measurements during manufacturing of your order.

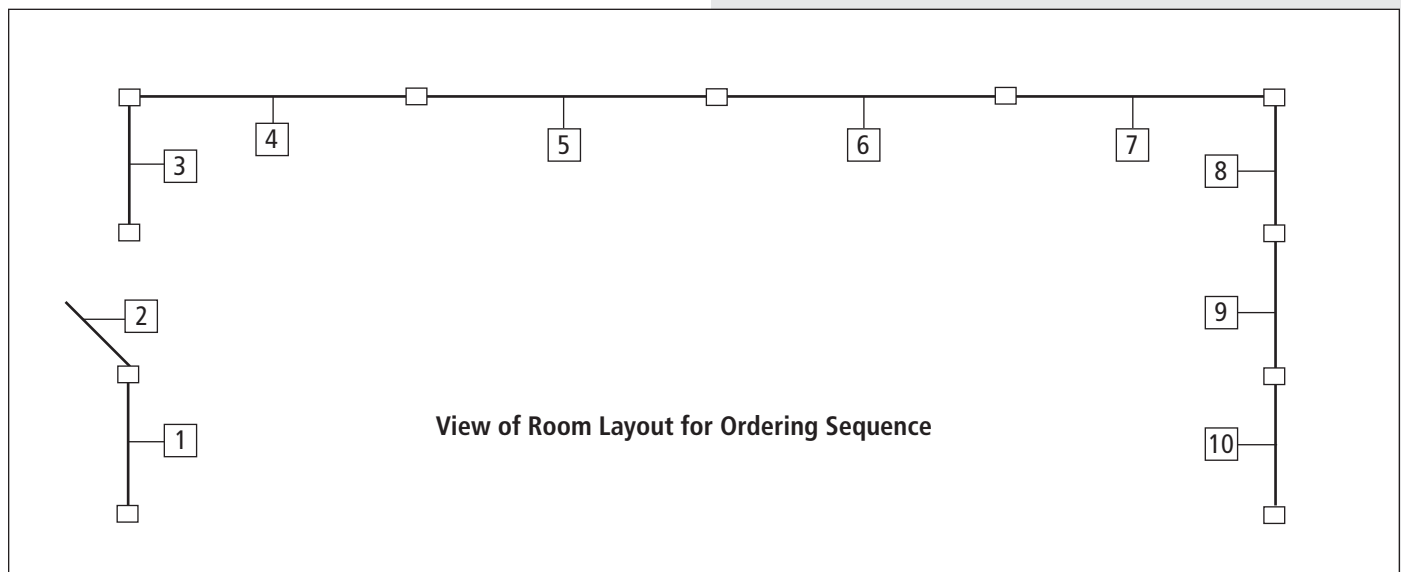
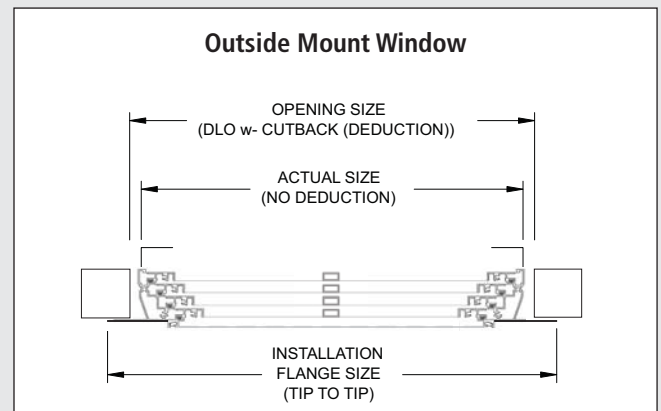
If you prefer we do not deduct our standard 1/4," please specify when ordering *Actual Window Size with No Deductions*.

If you prefer to install our units in between your posts using stops, please specify *Tip To Tip* Measurements when ordering.



Ordering Sequence:

When ordering your Amazing EZ Screen Porch Windows, we ask that you provide a simple sketch of your porch (see sketch sample below), this is done to avoid any confusion during the installation process. You will number each window opening including any doors, transoms or trapezoid units you may have built into your porch. When numbering your opening we ask that you stand in your porch with the house to your back. Begin numbering the opening to your left as number 1 and continuing clockwise. Please note, showing the swing of the door is very important for proper ordering. Feel free to contact us with any questions during the measuring process.



Product Overview Continued

Installation Frame Types:

Outside Mount (OSM): **PREFERRED METHOD** – Mounted from the outside; installation flange is on the exterior side of your openings.

Frame Colors: White, bronze or beige.

Vinyl Colors (10-mil): Clear, smoke gray, bronze or dark gray.

Screen Mesh: 1814 Charcoal or BetterVue 2020 charcoal – upgrade.

Transom Units:

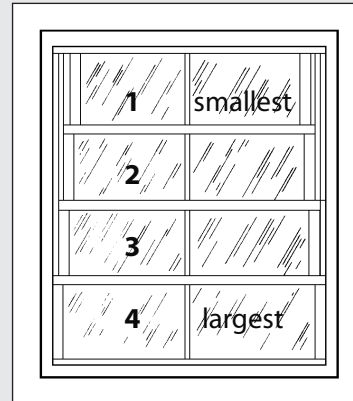
Transom units are non-operable. They are used to fill in openings where operable units do not work. Transoms are commonly used in spaces above doors or along small openings along doors as sidelites. There are a few limitations to transoms, the height or width must be greater than 5”

Trapezoid Shapes:

Trapezoids are available in a left or right orientation. Measure the trapezoid openings from the direction they are being installed. Shapes that slope down to the left are a Left shape orientation and shapes that slope to the right are a Right shape orientation. The measurements needed when placing your order are: the height of the tallest leg, the width/base and the height of the short leg. We do not need the slope dimension or the angle degree. The short leg must be greater than 5”

We can only manufacture a 4 sided trapezoid.

Call Sales Representative for Custom Sizing.



Identifying 4V60 Vents

Vents are numbered 1-4 starting at the top.

Each vent is 3/4” larger in width than the previous vent. Vent height are the same unless the original unit was ordered with an unequal vent.

Vent #1 – smallest in width and is located in the outermost track

Vent #2 – located in the 2nd track from the exterior

Vent #3 – located in the 3rd track from the exterior

Vent #4 – largest in width and located in the innermost track



Vertical Four-Track Series 4V60

Outside Mount Features

Amazing EZ-SCREEN™
PORCH WINDOWS
A ROOM FOR 3 1/2 SEASONS

Standard Features:

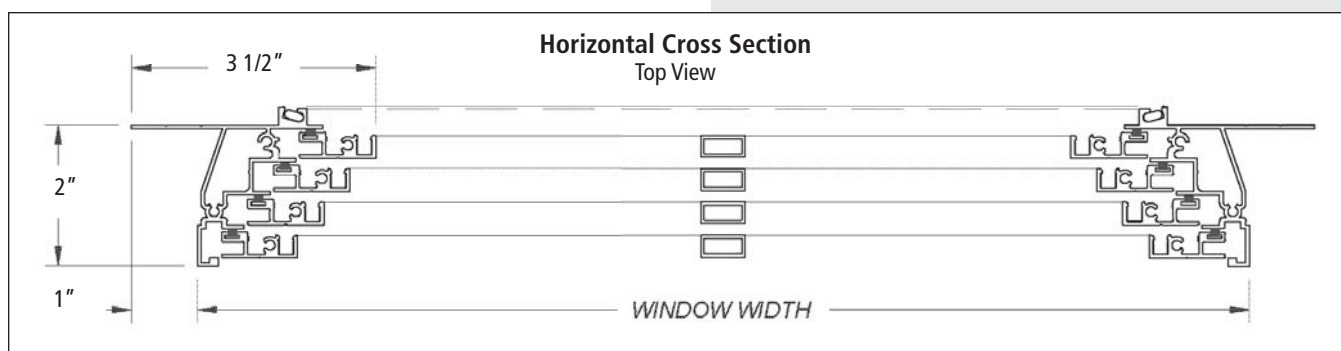
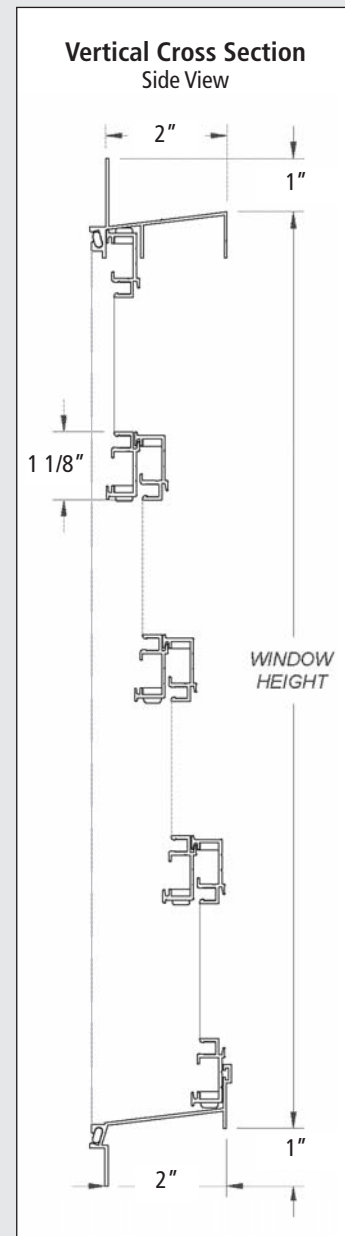
- Outside mount frame
- Extruded aluminum main frame
- Frame depth is 2"
- 1" front installation flange
- Glazed with 10-mil clear vinyl
- Equal interlocking vents
- Tilt in, removable vents
- Spreader bars on units over 30" wide
- 1814 charcoal screen rolled into the frame
- Custom sizing with a 1/4" deduction

Optional Features:

- Frame color options – white, bronze or beige
- Vinyl color options – clear, smoke gray, bronze or dark gray
- BetterVue 2020 charcoal – upgrade
- Twin Unit – one unit with 2 operable windows
- Unequal vents
- 2, 3 and 4 vent configurations

Sizing:

- Opening size with 1/4" deduct
- Actual unit size with no deductions
- Tip to Tip



Vertical Four-Track Series 4V60

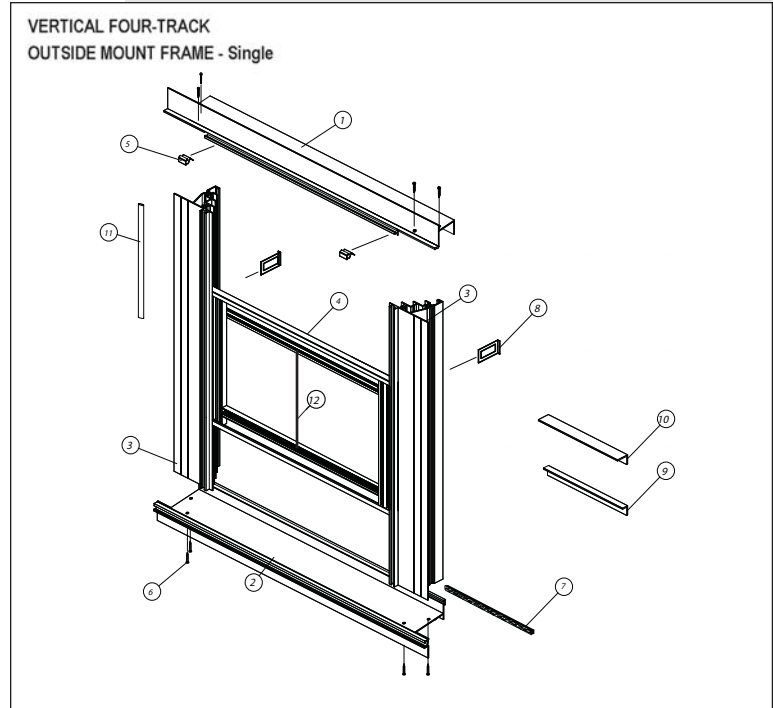
Exploded View Drawings

Amazing EZ-SCREEN™
PORCH WINDOWS
 A ROOM FOR 3 1/2 SEASONS

Outside Mount Frame – Single

Item # Description

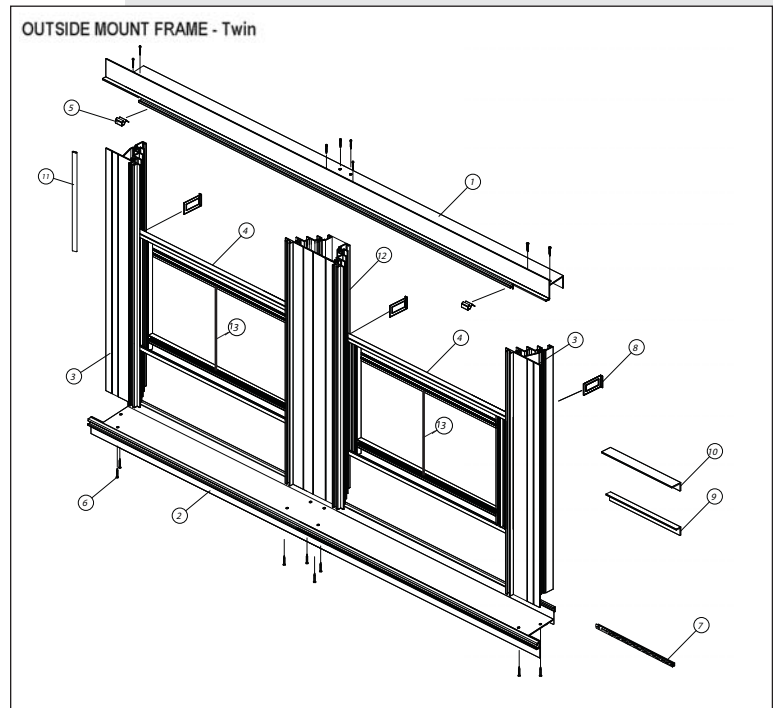
- 1 Frame Head
- 2 Frame Sill
- 3 Frame Jamb
- 4 Vertical Four-Track Vent (assembled)
- 5 Top Track Vent Clip
- 6 Frame Assembly Screws
- 7 Frame Sill Weatherstrip
- 8 Installation Clip
- 9 4T3V-Track Filler Angle (1/2" x 3/4")
- 10 4T2V-Track Filler Angle (1" x 1")
- 11 Flat Spline
- 12 Spreader Bar



Outside Mount Frame – Twin

Item # Description

- 1 Frame Head
- 2 Frame Sill
- 3 Frame Jamb
- 4 Vertical Four-Track Vent (assembled)
- 5 Top Track Vent Clip
- 6 Frame Assembly Screws
- 7 Frame Sill Weatherstrip
- 8 Installation Clip
- 9 4T3V-Track Filler Angle (1/2" x 3/4")
- 10 4T2V-Track Filler Angle (1" x 1")
- 11 Flat Spline
- 12 Intermediate Frame Jamb
- 13 Spreader Bar



Outside Mount

Installation Instructions

Amazing EZ-SCREEN™
PORCH WINDOWS
A ROOM FOR 3 1/2 SEASONS

Outside Mount: Is designed to fit tight within the opening from the outside with no interior trim. The space between the main frame and the substrate framing is to be dressed out with a thin bead of sealant after installation.

Note: This unit has been shipped with plastic spacers positioned at the left and right sides of the top vent, adjacent to the vent latches, to help maintain proper vent clearance during installation. Do not remove these clips until installation is complete.

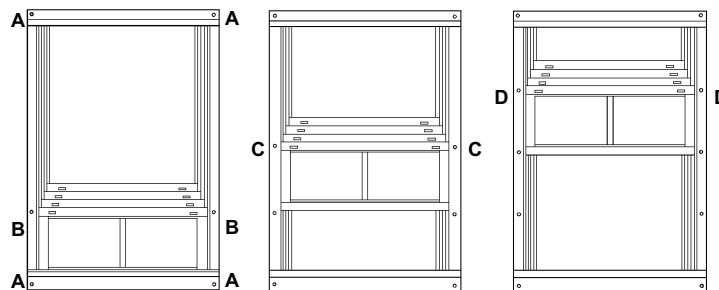
Step 1: Dry fit unit into opening to ensure proper fit and operation before applying any sealant.

Step 2: Remove unit from opening and caulk the outside perimeter of opening and along the joint where the horizontal member meets the vertical upright post with the appropriate, approved sealant.

Step 3: Open vents so they are all stacked at the bottom of the unit. Center and square the unit in the opening and fasten one of the top corners, through the flange, to the substrate. Level the unit and fasten the remaining three corners (**A**).
Important: Maintaining plumb, level, and square during installation is essential to the proper operation of the unit.

Step 4: With vents in the open position, locate the top rail of the bottom vent, and place a fastener through the flange adjacent to that rail on each side (**B**).

Step 5: For units with two vents, skip to Step 6. Leaving the plastic vent spacer in place, one at a time raise all the vents until the bottom rail of the lowest vent is even with the previously installed fasteners. Locate the top rail of the bottom vent, and place a fastener through the flange adjacent to that rail on each side (**C**). For units with four vents, repeat this process one more time to locate and place the third and final jamb fasteners (**D**).



Step 6: Remove plastic vent spacers and discard.

Step 7: If your unit is wide enough to require a spreader bar, place one additional fastener at the head and sill in line with the spreader bar. Units greater than 48" wide require additional fasteners at head and sill to prevent sagging and twisting of frame.

Step 8: Once installed, push all four vents up to the top of the unit to fully engage the top vent. The top vent snaps into the metal clips at the top of the frame very tightly. Gently apply pressure if needed. Then pull vents two, three, and four down.

Cabana Doors Series CD90

Amazing EZ-SCREEN™
PORCH WINDOWS
A ROOM FOR 3 1/2 SEASONS

Cabana Door Standard 14 1/4" Kick Plate:



Cabana Custom Kick Plate Available:



Full View Cabana Door (Custom) 4 3/4" Kick Plate:



Cabana Door Series CD90

Features

Amazing EZ-SCREEN™
PORCH WINDOWS
A ROOM FOR 3 1/2 SEASONS

Standard Features:

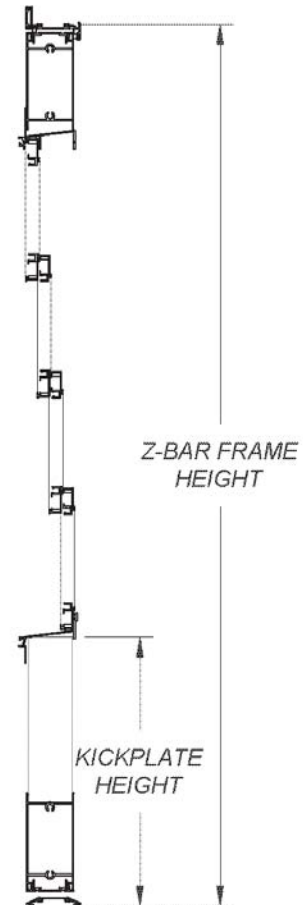
- Vertical Four Track Style – with 14 1/2" kickplate
- Traditional Z-Bar Frame
- Extruded aluminum main frame
- Frame depth 2 1/4"
- Glazed with 10-mil clear vinyl
- Single door style in standard nominal sizes
- Custom sizes available, max width 40," max height 96"
- Out-swing or In-swing styles available
- Installation fastener cover
- 6'8" doors pre-hung on three hinges
- 8'0" doors pre-hung on four hinges
- Factory installed 3/8" saddle threshold

Optional Features:

- Frame color options – white, bronze or beige
- Vinyl color options – clear, smoke gray, bronze or dark gray
- Equal-leg or Box Frame Adapter
- Factory installed threshold options
 - Medium bumper 1 7/16"
 - High bumper 2"
- BetterVue 2020 charcoal – upgrade

Call Sales Representative for Custom Sizing.

Vertical Cross Section
Side View



Horizontal Cross Section
Top View



Cabana Door Series CD90

Kickplate Sizing

Amazing EZ-SCREEN™
PORCH WINDOWS
 A ROOM FOR 3 1/2 SEASONS

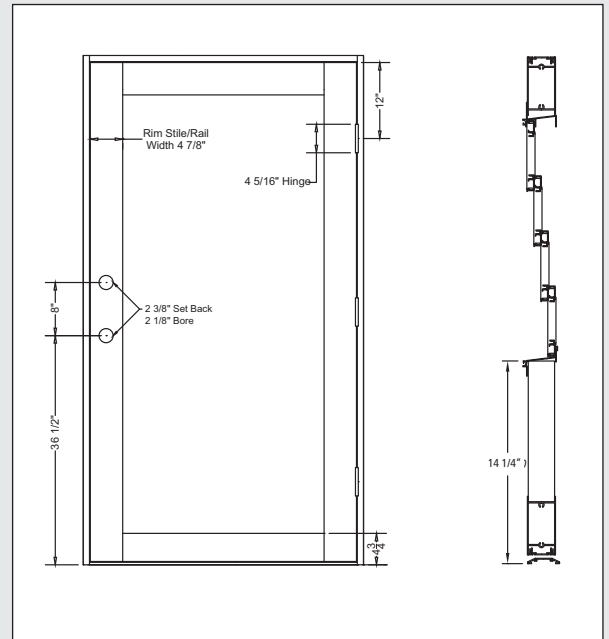
Vertical Four-Track Style:

Standard kickplate dimension 14 1/4"
 Minimum custom kickplate dimension 4 13/16"
 Maximum custom kickplate 50"

Thresholds:

Out-swing options:
 Low/saddle: 3/8" Medium/bumper: 1 7/16" High/bumper: 2"

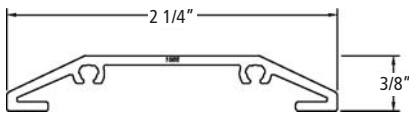
In-swing option:
 Low/saddle: 3/8"



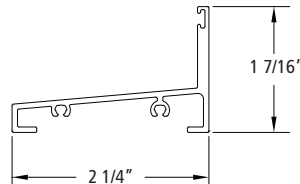
Important Note: Kickplate dimension is always measured from the bottom of the opening to the top of the kickplate.

Out-Swing Options:

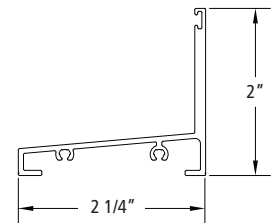
Low/saddle: 3/8"



Medium/bumper: 1 7/16"

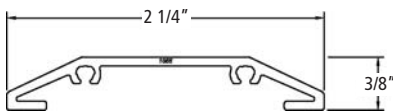


High/bumper: 2"



In-swing option:

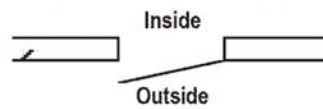
Low/saddle: 3/8"



Door Swing Options:

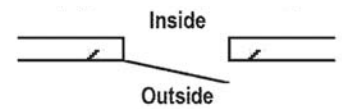
Out-Swing Hinge Right

(Left-Hand)



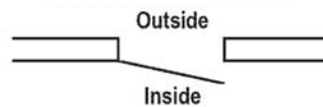
Out-Swing Hinge Left

(Right-Hand)



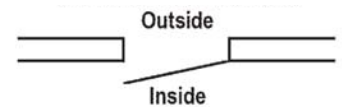
In-Swing Hinge Left

(Right-Hand)



In-Swing Hinge Right

(Left-Hand)



Note: This unit has been shipped pre-hung with threshold attached. Regardless of the direction of swing, all doors are installed from the exterior.

Step 1: With the door in the closed position, dry fit unit into opening to ensure proper fit before applying any sealant. Shim and level the threshold, if additional adjustment is needed, it can be detached from the frame. When using adjustable sweep, jambs may need to be trimmed to provide an even reveal at the threshold.

Important: Maintaining plumb, level, and square during installation is essential to the proper operation of the unit.

Step 2: Z-Bar Frame: Carefully remove the fastener cover from the z-bar flange to expose the pre-punched installation holes.
Box/Equal Leg Frame: Skip to step 3.

Step 3: Remove unit from opening and caulk the outside perimeter of opening and along the floor where the threshold goes with the appropriate, approved sealant.

Step 4: Set the unit by seating the threshold first. Then swing the rest of the unit up into the opening. Shim and level the threshold first, then get the jambs plumb, level and true.

Step 5: Z-Bar Frame: Install fasteners in the pre-punched holes of the Z-Bar flange temporarily holding the frame in place.
Box/Equal Leg Frame: Skip to step 6.

Step 6: From the inside, shim any gap between the opening and the door frame at each hinge location. Open the door and install fasteners in the pre-punched installation holes at each hinge location (Illustration A) starting from the top down. Initially, screws may be lightly fastened until equal reveal and good door operation is established. Close the door and check the reveal on the lock jamb side.

Step 7: Open the door and install the remaining fasteners in the pre-punched holes. Be sure to shim any gaps between the opening and the door frame at each anchor location.

Step 8: Replace the z-bar fastener cover.

Step 9: Tighten any loosened fasteners.

Step 10: Seal any gaps or joints between frame and opening as needed.

Step 11: Install hardware according to the manufacturer's specifications and adjust strike plate(s) as needed.

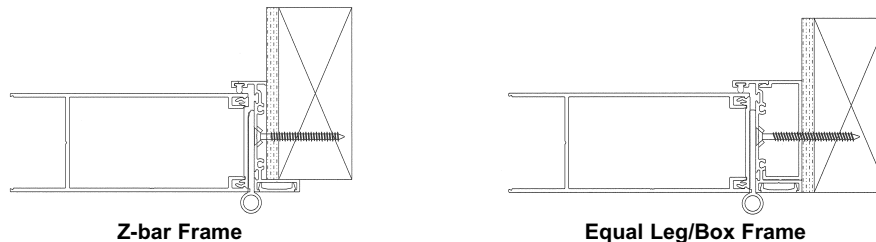


Illustration A

Standard Transom and Trapezoids

Features

Standard Features:

- Extruded aluminum main frame
- Frame depth 7/16"
- 1/2" front installation flange
- Glazed with 10-mil clear vinyl
- Spreader bar(s)
- Foam tape factory applied

Sizing:

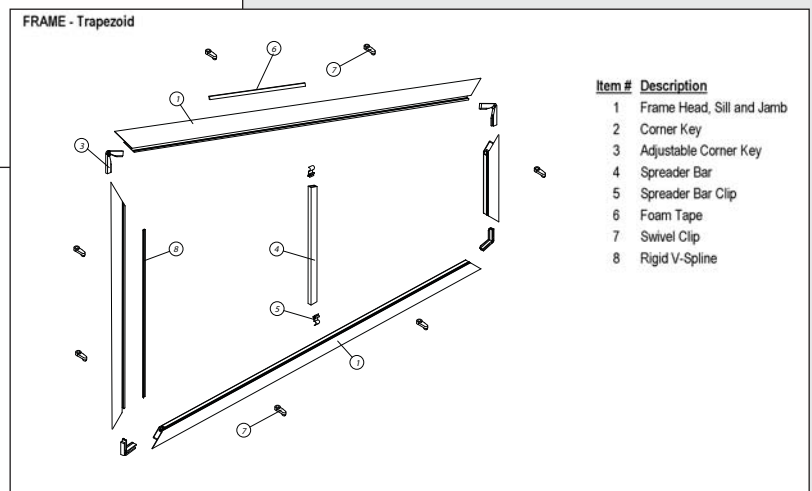
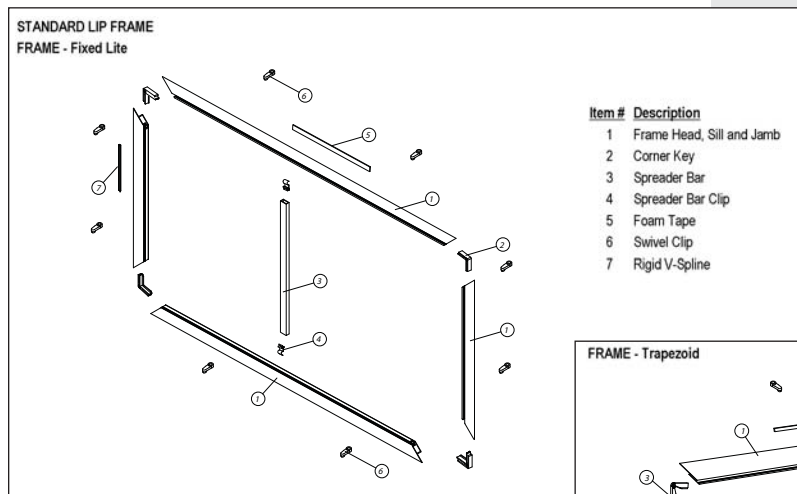
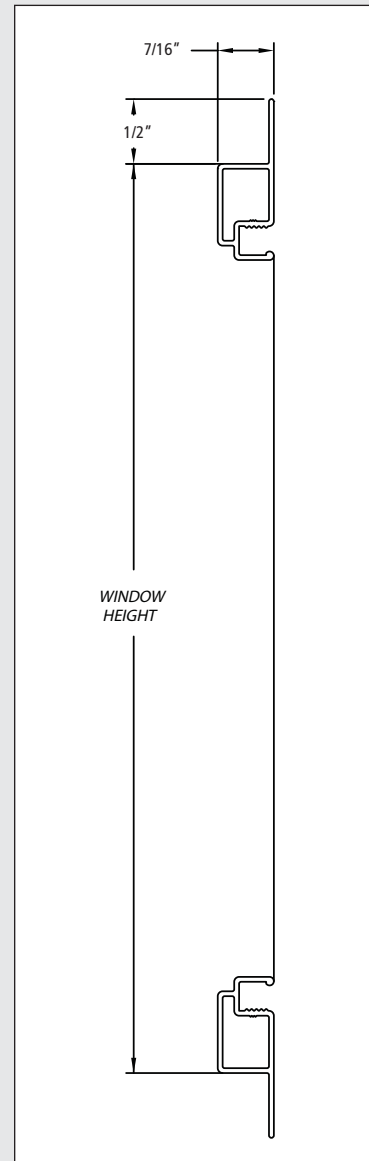
– Opening size with 1/8" deduction in width & height

Optional Features:

- Frame color options – white, bronze and beige
- Vinyl color options – clear, smoke gray, bronze or dark gray
- BetterVue 2020 charcoal – upgrade
- Turn (swivel) clips for easy removal
- Available as a trapezoid shape

Sizing:

– Opening size with a 1/4" deduction in width & height
 – Actual unit size with no deductions



Heavy Duty Transom and Trapezoids

Features

Amazing EZ-SCREEN™
PORCH WINDOWS
 A ROOM FOR 3 1/2 SEASONS

Standard Features:

- Extruded aluminum main frame
- Frame depth 5/8"
- 7/8" front installation flange
- Glazed with 10-mil clear vinyl
- Spreader bar(s)
- Fully weather-stripped frame

Sizing:

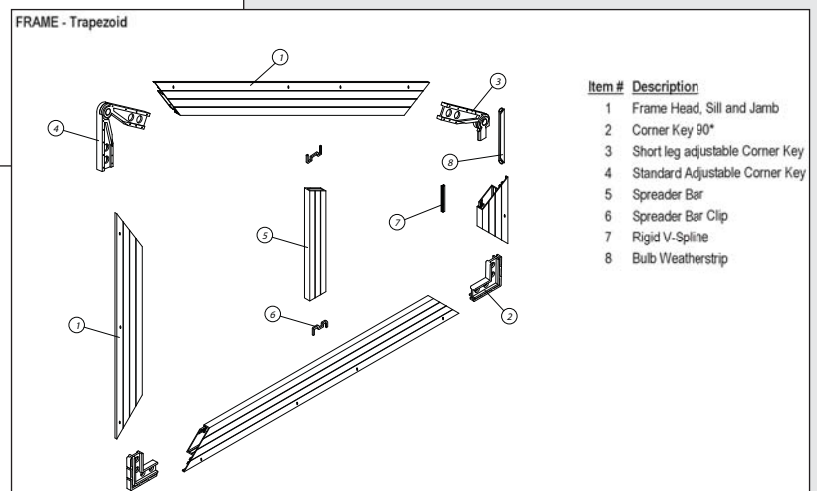
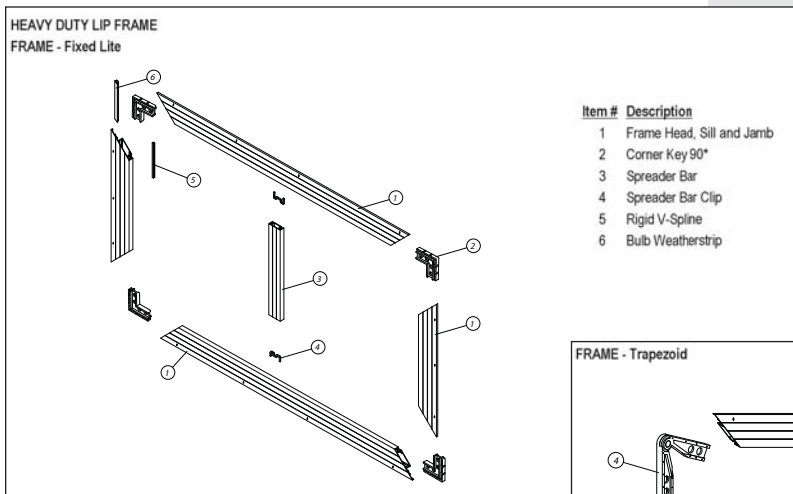
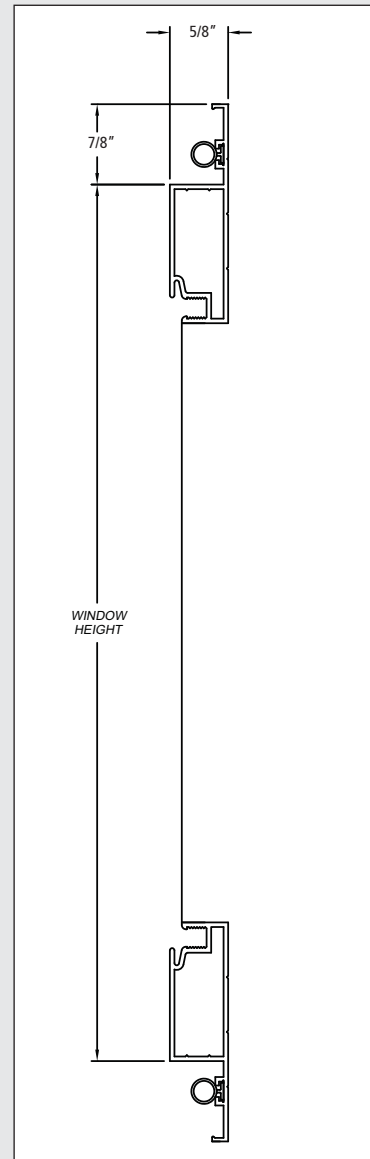
– Opening size with 1/8" deduction in width & height

Optional Features:

- White, bronze or beige frame color available
- Vinyl color options – clear, smoke gray, bronze or dark gray
- BetterVue 2020 charcoal – upgrade
- Turn (swivel) clips for easy removal
- Available as a trapezoid shape

Sizing:

– Opening size with a 1/4" deduction in width & height
 – Actual unit size with no deductions



Care & Cleaning

Amazing EZ-SCREEN™
PORCH WINDOWS
A ROOM FOR 3 1/2 SEASONS

Our vinyl is a strong, resilient and durable material specially formulated to resist deterioration from the sun's ultra-violet rays. With proper care and cleaning, Amazing EZ Screen Porch Windows sliding panel will give you years of trouble-free service and will prevent them from drying out or becoming brittle. Clean you Amazing EZ Screen Porch Windows sliding panels twice a year.

CAUTION: Remove rings, bracelets, watches or other objects that can puncture or cut the vinyl before cleaning.

WARNING: Do not use alcohol or ammonia based products, dishwashing detergents/soaps, products that contain abrasives, or other chemicals. Do not lubricate the main frame tracks or other components. Use of cleaning products and methods other than those specified below will damage the vinyl and void the warranty.

STEP 1: Allow panels to cool before washing. Thoroughly vacuum all areas of window frame using the soft brush attachment, and hose-off the exterior of the panels to remove loose dirt, dust, or other debris. If needed, the main frame tracks and other metal parts can be wiped clean with a soft cloth and clean water.

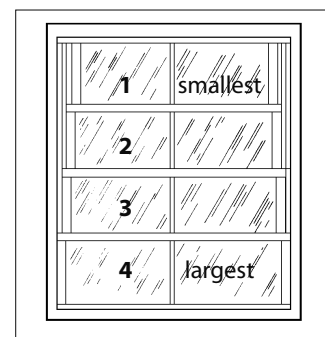
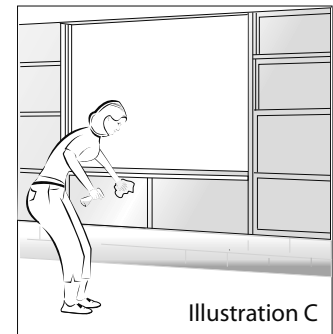
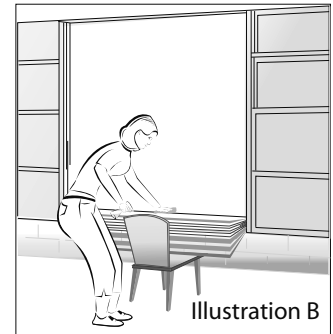
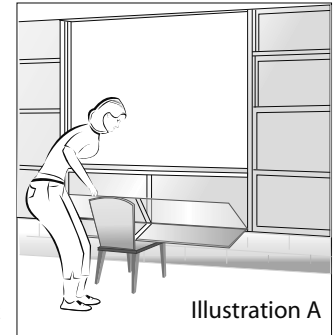
STEP 2: With the vents in the closed position, raise the bottom panel approximately 1", release the thumb latches and tilt the panel in. Rest tilted panel on a chair or other support. Lower the remaining three panels to the bottom of the unit, raise the second panel approximately 1", and tilt it in to rest on the bottom panel. Repeat until all remaining panels are tilted in (**Illustration A**).

STEP 3: Starting with the top panel that is facing up (**Illustration B**), use a soft, lint free cloth and rinse it with clean water. Apply a cleaning solution of Woolite® or Murphy Oil Soap® and warm water (one cap-full to one gallon water). Be sure the panel is dry and free of spots. Then tilt the panel back into position and repeat the cleaning method on the opposite side (**Illustration C**). Repeat the process for the remaining panels, returning each to their normal position when clean.

NOTE: For best results, we recommend a final cleaning with a moderate amount of our Vinyl Cleaner available through our office. Using our vinyl cleaner will extend the longevity of your Amazing EZ Screen Porch Windows and help reduce static electric charge that attracts dust.

REMOVING YOUR AMAZING EZ SCREEN PORCH WINDOWS SLIDING PANELS

1. Start with innermost panel (bottom panel).
2. Raise the bottom panel approximately 1", release the thumb latches and tilt the panel in.
3. Lift one side of the panel to remove the pin at bottom of panel from the track.
4. Carefully remove panel, mark the panel number, and set aside. Repeat for remaining panels.
Note: Marking each panel will help you replace them in the proper order later.
5. To replace, reverse procedure.
6. It is also recommended to remove the panels and clean the screens. This process will help in keeping the vinyl clean.



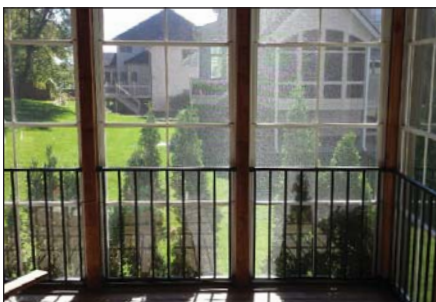
Alternative Rails

In some installations a rail system may be required. You will want to check with your local building inspector for your specific project requirements.

Alternative Rail Methods:

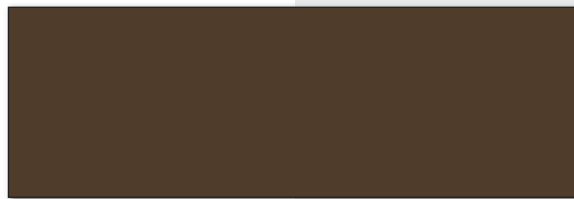
- Aluminum or Iron Rail mounted to the inside or the outside of the structure
- Fixed glass unit or transom below with our 4 track system above
- 18" knee wall
- 18" knee wall with a simple hand rail
- Stainless Steel Cable Railing
- 2"x 2" wood picket rail system

We encourage you speak with your local building inspector for final approval.



Frame Color Options

Bronze:



White:



Beige:

