

*Amazing* EZ-SCREEN™  
**PORCH WINDOWS**  
A ROOM FOR 3 1/2 SEASONS



**SIMPLY AMAZING**  
OUTDOOR LIVING AT ITS VERY BEST

# Meet Our Team!

Thank you for considering our Amazing EZ Screen Porch Windows as an option for your screen porch project. We are committed to providing our customers with a product that has been installed and tested in porches around the United States and Canada for over four decades. Our team is made up of some of the best in our industry.

Our company specializes in one product; 3½ season screen porch windows. We understand the features, advantages and benefits as well as the limitations to our product very well. Our team is interested in what you want your porch to look like when the project is completed. Rest assured, we will do our best to provide you the 3½ season screen porch you’re expecting. We would like to again thank you for considering our Amazing EZ Screen Porch Windows.

*Amazing* EZ-SCREEN™  
**PORCH WINDOWS**  
 A ROOM FOR 3 1/2 SEASONS



**TERRY JERYLO**  
 President

OFFICE/SHOWROOM:  
 563 SHOREVIEW PARK RD.  
 SHOREVIEW, MN 55126  
 OFFICE: (612) 359-5800  
 CELL: (612) 490-2309  
 TERRYJ@EZPORCH.COM

WWW.EZPORCH.COM

SIMPLY AMAZING OUTDOOR LIVING AT ITS VERY BEST

*Amazing* EZ-SCREEN™  
**PORCH WINDOWS**  
 A ROOM FOR 3 1/2 SEASONS



**JEFF HITCHCOCK**  
 North Eastern U.S.  
 Regional Account Manager

OFFICE/SHOWROOM:  
 563 SHOREVIEW PARK RD.  
 SHOREVIEW, MN 55126  
 OFFICE: (612) 359-5800  
 DIRECT: (612) 359-1127  
 JEFFH@EZPORCH.COM

WWW.EZPORCH.COM

SIMPLY AMAZING OUTDOOR LIVING AT ITS VERY BEST

*Amazing* EZ-SCREEN™  
**PORCH WINDOWS**  
 A ROOM FOR 3 1/2 SEASONS



**ALEX FONG**  
 Central U.S.  
 Regional Account Manager

OFFICE/SHOWROOM:  
 563 SHOREVIEW PARK RD.  
 SHOREVIEW, MN 55126  
 OFFICE: (612) 359-5800  
 DIRECT: (612) 359-1117  
 ALEXF@EZPORCH.COM

WWW.EZPORCH.COM

SIMPLY AMAZING OUTDOOR LIVING AT ITS VERY BEST

*Amazing* EZ-SCREEN™  
**PORCH WINDOWS**  
 A ROOM FOR 3 1/2 SEASONS



**AUSTIN JERYLO**  
 Western, South Eastern U.S.  
 Regional Account Manager  
 & Warehouse Manager

OFFICE/SHOWROOM:  
 563 SHOREVIEW PARK RD.  
 SHOREVIEW, MN 55126  
 OFFICE: (612) 359-5800  
 DIRECT: (612) 359-1109  
 AUSTINJ@EZPORCH.COM

WWW.EZPORCH.COM

SIMPLY AMAZING OUTDOOR LIVING AT ITS VERY BEST

*Amazing* EZ-SCREEN™  
**PORCH WINDOWS**  
 A ROOM FOR 3 1/2 SEASONS



**SCOTT GILBERTSON**  
 Logistics Lead  
 & Warranty Tech

OFFICE/SHOWROOM:  
 563 SHOREVIEW PARK RD.  
 SHOREVIEW, MN 55126  
 OFFICE: (612) 359-5800  
 DIRECT: (612) 359-1112  
 SCOTTG@EZPORCH.COM

WWW.EZPORCH.COM

SIMPLY AMAZING OUTDOOR LIVING AT ITS VERY BEST

*Amazing* EZ-SCREEN™  
**PORCH WINDOWS**  
 A ROOM FOR 3 1/2 SEASONS



**MICHELE LIND**  
 Business Coordinator

OFFICE/SHOWROOM:  
 563 SHOREVIEW PARK RD.  
 SHOREVIEW, MN 55126  
 OFFICE: (612) 359-5800  
 DIRECT: (612) 359-1116  
 MICHELEL@EZPORCH.COM

WWW.EZPORCH.COM

SIMPLY AMAZING OUTDOOR LIVING AT ITS VERY BEST

# Features, Advantages & Benefits

Perfect for Existing Porches or New Construction

## Features:

### 54" x 113" Openings

We custom make our porch windows to fit any openings as large as 54" wide and 113" tall.

### Indestructible Vinyl Panels

Our durable porch window panels are made of light weight indestructible 10-mil elastic vinyl.

### EZ To Install

Our porch windows are easy to install. The tools required are a level, caulking gun and screw gun.

## Advantages:

### Protection

Our porch windows provide protection from the rain, bugs, snow, wind and dust.

### 75% Screen Opening

When our panels are open, you're provided with 75% screen opening – You're sitting in a screen porch! When our panels are closed, you're provided protection from the weather elements, thus allowing you to use your porch when you wish.

### UV Protection

Our vinyl panels are manufactured with a UV inhibitor that guarantees them from hardening, yellowing, fogging, or cracking for ten years.

## Benefits:

### Cost Effective

Our porch windows are a fraction of the cost of a four season room.

### Flexibility

You now have the ability to use your porch when you want, not just when Mother Nature allows you to. Feel free to install comfortable furniture, a fireplace or infrared heating.

### Extend The Time On Your New Porch

Our porch windows extend your porch season to 3½ seasons. You can now use your new porch even during the cooler months of the year.

**OPEN...** a true screen porch.



**CLOSED...** they provide protection from rain, bugs, snow, wind, and dust.











Amazing EZ-SCREEN  
PORCH WINDOWS  
A ROOM FOR 3 1/2 SEASONS



Amazing EZ-SCREEN  
PORCH WINDOWS  
A ROOM FOR 3 1/2 SEASONS











# Helpful Resources

Amazing EZ-Screen Porch Windows has produced a series of helpful videos, including Product Overview, Operations and Care & Cleaning.

Product Overview Video:



Care & Cleaning Video:



Product Book Link:



Please feel free to contact us for any additional questions or information:

(612) 359-5800  
1-844-EZporch (397-6724)  
Visit us online at: [www.ezporch.com](http://www.ezporch.com)

Office/ Showroom  
563 Shoreview Park Rd.  
Shoreview, MN 55126



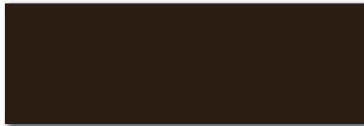
# Frame, Vinyl Tint & Screen Options

## Standard Frame Colors:

White



Bronze



Beige

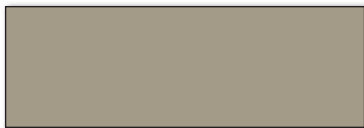


## Premium Upgrade Frame Colors:

Black



Pebble Khaki



## Vinyl Tint Colors:

Clear

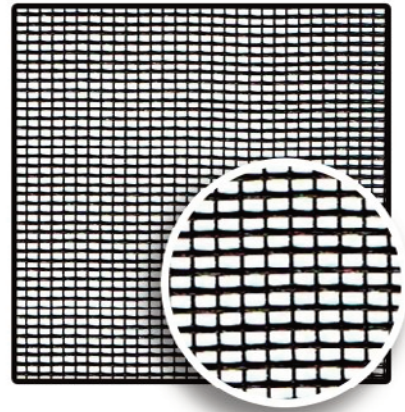
Smoke Gray

Bronze

Dark Gray



## Screen Option:



### Standard 18/14:

#### Standard Screen Grade

- Offers good air ventilation
- Will not rust, corrode, or stain



### Betterview 20/20:

#### Premium Upgrade from Standard Screen

- Enhanced screening for better views
- Excellent protection from small insects

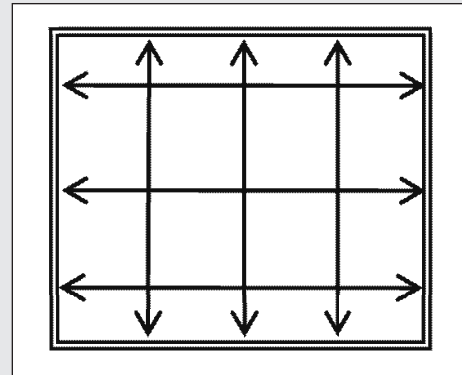
# Product Overview

## Measuring:

We recommend you measure in three locations for the width (top, middle and bottom) of each opening and three locations for the height (left, center and right side). We want to know the smallest width and smallest height for each of these measurements. We will then deduct 1/4" from these measurements during manufacturing of your order.

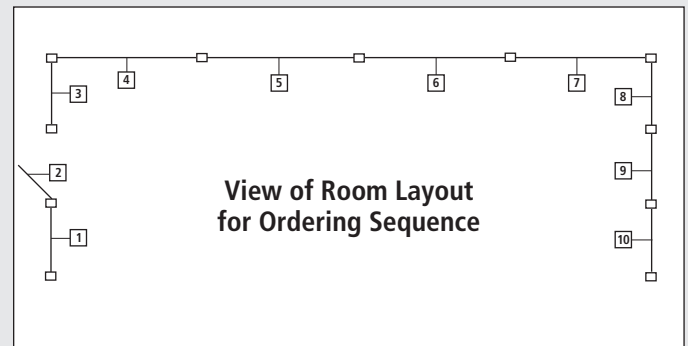
If you prefer we do not deduct our standard 1/4," please specify when ordering *Actual Window Size with No Deductions*.

If you prefer to install our units in between your posts using stops, please specify *Tip To Tip* Measurements when ordering.



## Ordering Sequence:

When ordering your Amazing EZ Screen Porch Windows, we ask that you provide a simple sketch of your porch (see sketch sample below), this is done to avoid any confusion during the installation process. You will number each window opening including any doors, transoms or trapezoid units you may have built into your porch. When numbering your opening we ask that you stand in your porch with the house to your back. Begin numbering the opening to your left as number 1 and continuing clockwise. Please note, showing the swing of the door is very important for proper ordering. Feel free to contact us with any questions during the measuring process.



## Shipping Label:

Window Number \_\_\_\_\_

Production Number \_\_\_\_\_

Production Details \_\_\_\_\_

|  |                                |                |
|--|--------------------------------|----------------|
| <b>1746042.004</b>   | 00:17:35 01/07/2024            | <b>1/15/24</b> |
| 47.125X95.25X.,OSM,BLACK,CLEAR,4.,.,SGL,EQUAL,1,ROLLED,1814K,CCB                     |                                |                |
| <b>AMAZING EZ – SCREEN PORCH WDWS</b>  |                                | <b>4V6</b>     |
|  |                                | <b>1of1</b>    |
| *017460420040000001*   |                                |                |
| <b>1746042 – 004</b>   | <b>V2V4010821.17 – 01 – 24</b> |                |

# Product Overview Continued

## Installation Frame Types:

Outside Mount (OSM):      PREFERRED METHOD – Mounted from the outside; installation flange is on the exterior side of your openings.

Frame Colors:                Bronze, white, beige, black or pebble khaki

Vinyl Colors (10-mil):      Clear, smoke gray, bronze or dark gray.

Screen Mesh:                1814 Charcoal or BetterVue 2020 charcoal – upgrade.

## Doors:

Complete your new EZ Porch with our standard or custom sized single or French style doors.

## Transom Units:

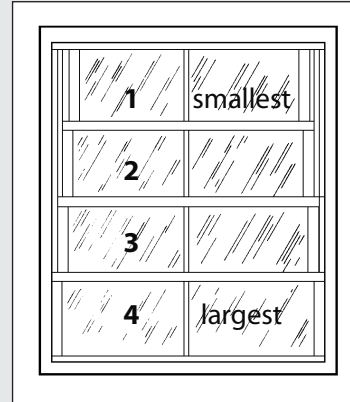
Transom units are non-operable. They are used to fill in openings where operable units do not work. Transoms are commonly used in spaces above doors or along small openings along doors as sidelites. There are a few limitations to transoms, the height or width must be greater than 5."

## Trapezoid Shapes:

Trapezoids are available in a left or right orientation. Measure the trapezoid openings from the direction they are being installed. Shapes that slope down to the left are a Left shape orientation and shapes that slope to the right are a Right shape orientation. The measurements needed when placing your order are: the height of the tallest leg, the width/base and the height of the short leg. We do not need the slope dimension or the angle degree. The short leg must be greater than 5."

We can only manufacture a 4 sided trapezoid.

*Call Sales Representative for Custom Sizing.*



## Identifying 4V60 Vents

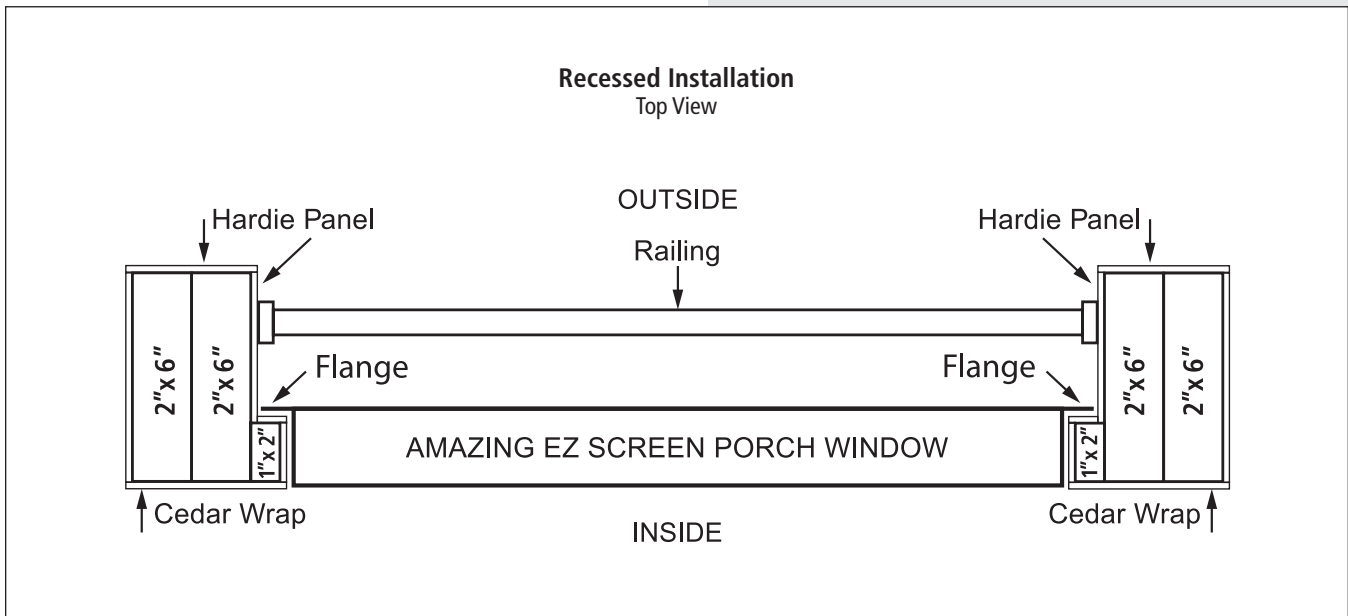
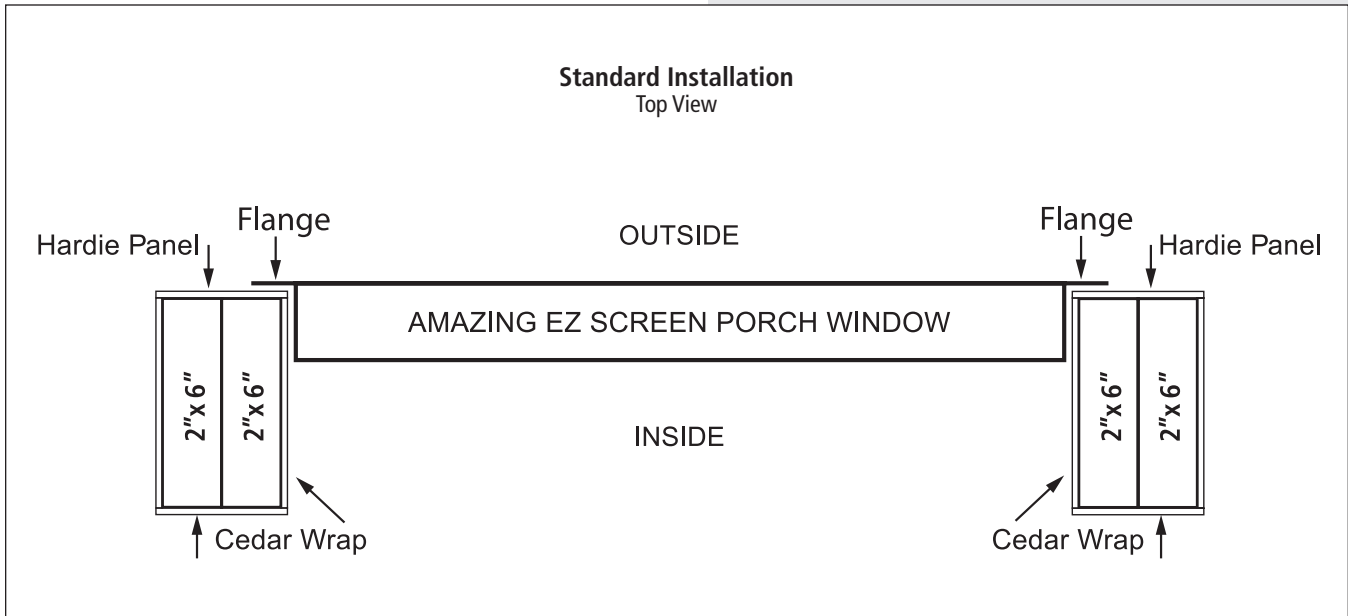
Vents are numbered 1-4 starting at the top.

Each vent is 3/4" larger in width than the previous vent. Vent height are the same unless the original unit was ordered with an unequal vent.

- Vent #1** – smallest in width and is located in the outermost track
- Vent #2** – located in the 2nd track from the exterior
- Vent #3** – located in the 3rd track from the exterior
- Vent #4** – largest in width and located in the innermost track



# Installation Methods





# Vertical Four-Track Series 4V60

## Outside Mount Features

Amazing EZ-SCREEN™  
**PORCH WINDOWS**  
 A ROOM FOR 3 1/2 SEASONS

### Standard Features:

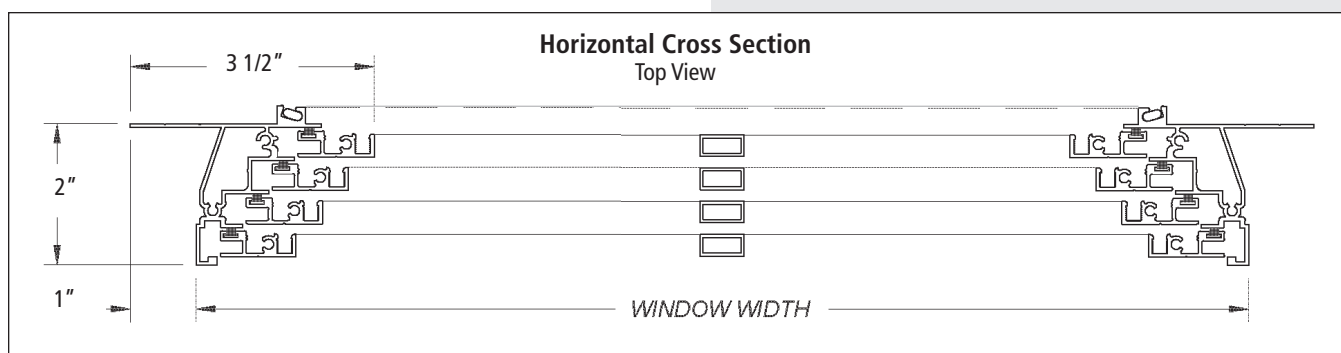
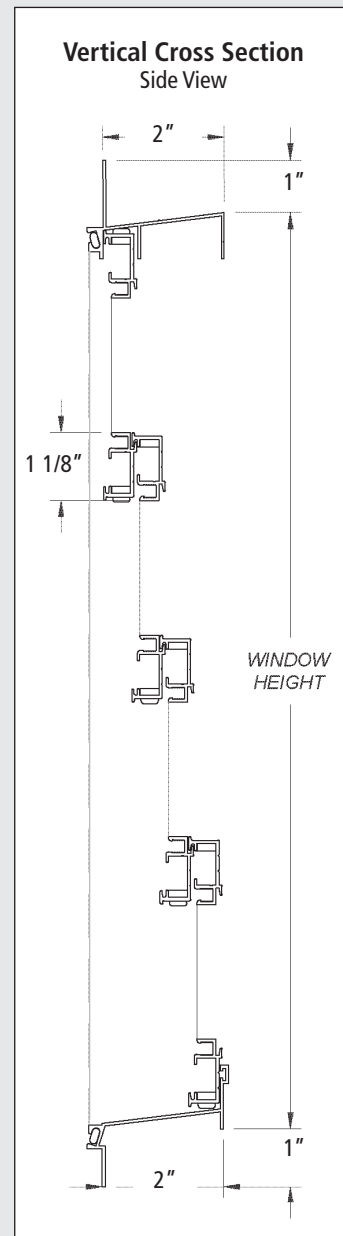
- Outside mount frame
- Extruded aluminum main frame
- Frame depth is 2"
- 1" front installation flange
- Glazed with 10-mil clear vinyl
- Equal interlocking vents
- Tilt in, removable vents
- Spreader bars on units over 30" wide
- 1814 charcoal screen rolled into the frame
- Custom sizing with a 1/4" deduction

### Optional Features:

- Frame color options – bronze, white, beige, black or pebble khaki
- Vinyl color options – clear, smoke gray, bronze or dark gray
- BetterVue 2020 charcoal – upgrade
- Twin Unit – one unit with 2 operable windows
- Unequal vents
- 2, 3 and 4 vent configurations

### Sizing:

- Opening size with 1/4" deduction
- Actual unit size with no deductions
- Outside flange to outside flange measurement



# Vertical Four-Track Series 4V60

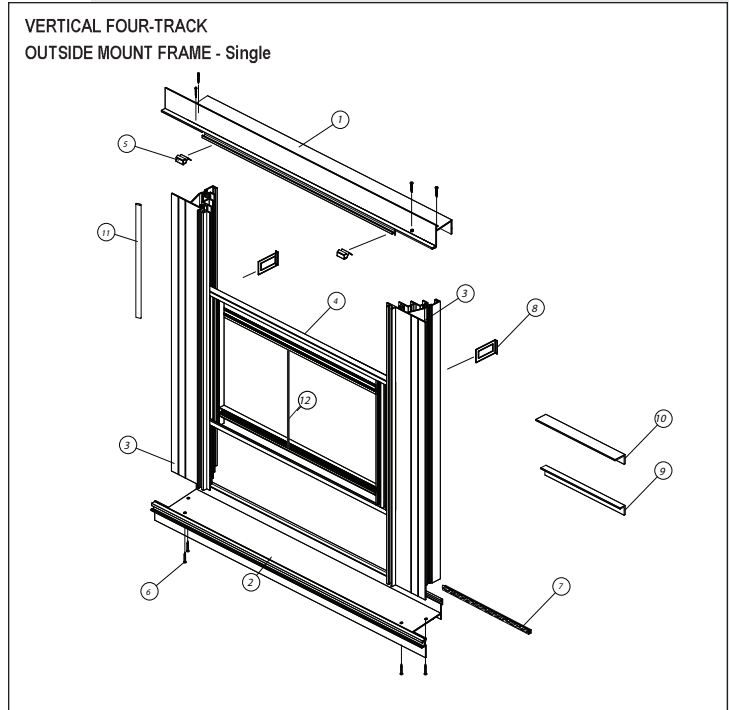
Exploded View Drawings

Amazing EZ-SCREEN™  
**PORCH WINDOWS**  
 A ROOM FOR 3 1/2 SEASONS

## Outside Mount Frame – Single

### Item # Description

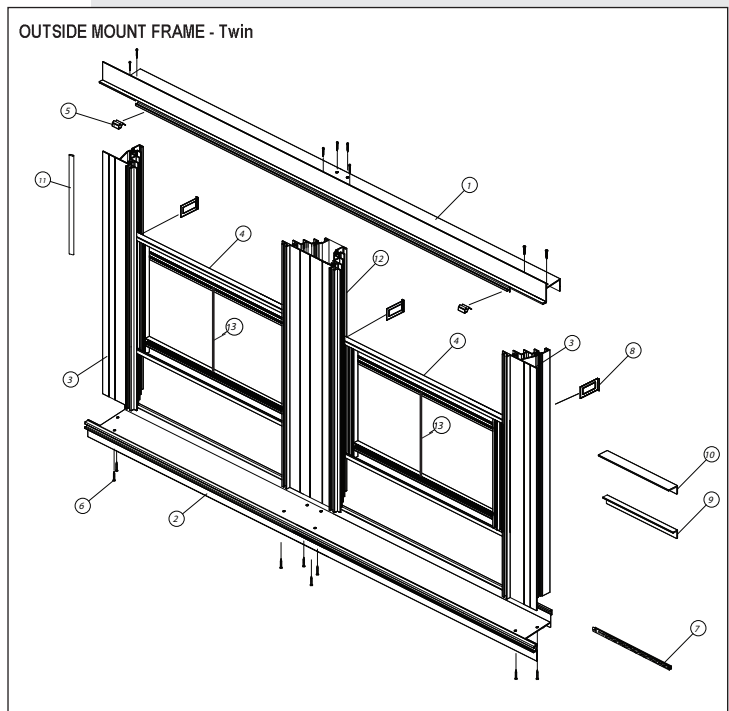
- 1 Frame Head
- 2 Frame Sill
- 3 Frame Jamb
- 4 Vertical Four-Track Vent (assembled)
- 5 Top Track Vent Clip
- 6 Frame Assembly Screws
- 7 Frame Sill Weatherstrip
- 8 Installation Clip
- 9 4T3V-Track Filler Angle (1/2" x 3/4")
- 10 4T2V-Track Filler Angle (1" x 1")
- 11 Flat Spline
- 12 Spreader Bar



## Outside Mount Frame – Twin

### Item # Description

- 1 Frame Head
- 2 Frame Sill
- 3 Frame Jamb
- 4 Vertical Four-Track Vent (assembled)
- 5 Top Track Vent Clip
- 6 Frame Assembly Screws
- 7 Frame Sill Weatherstrip
- 8 Installation Clip
- 9 4T3V-Track Filler Angle (1/2" x 3/4")
- 10 4T2V-Track Filler Angle (1" x 1")
- 11 Flat Spline
- 12 Intermediate Frame Jamb
- 13 Spreader Bar



# Outside Mount

## Installation Instructions

**Outside Mount:** Is designed to fit tight within the opening from the outside with no interior trim. The space between the main frame and the substrate framing is to be dressed out with a thin bead of sealant after installation.

**Note:** This unit has been shipped with plastic spacers positioned at the left and right sides of the top vent, adjacent to the vent latches, to help maintain proper vent clearance during installation. Do not remove these clips until installation is complete.

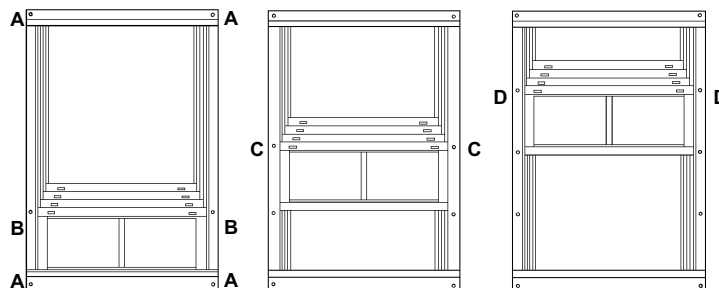
**Step 1:** Dry fit unit into opening to ensure proper fit and operation before applying any sealant.

**Step 2:** Remove unit from opening and caulk the outside perimeter of opening and along the joint where the horizontal member meets the vertical upright post with the appropriate, approved sealant.

**Step 3:** Open vents so they are all stacked at the bottom of the unit. Center and square the unit in the opening and fasten one of the top corners, through the flange, to the substrate. Level the unit and fasten the remaining three corners (**A**).  
**Important:** Maintaining plumb, level, and square during installation is essential to the proper operation of the unit.

**Step 4:** With vents in the open position, locate the top rail of the bottom vent, and place a fastener through the flange adjacent to that rail on each side (**B**).

**Step 5:** For units with two vents, skip to Step 6. Leaving the plastic vent spacer in place, one at a time raise all the vents until the bottom rail of the lowest vent is even with the previously installed fasteners. Locate the top rail of the bottom vent, and place a fastener through the flange adjacent to that rail on each side (**C**). For units with four vents, repeat this process one more time to locate and place the third and final jamb fasteners (**D**).



**Step 6:** Remove plastic vent spacers and discard.

**Step 7:** If your unit is wide enough to require a spreader bar, place one additional fastener at the head and sill in line with the spreader bar. Units greater than 48" wide require additional fasteners at head and sill to prevent sagging and twisting of frame.

**Step 8:** Once installed, push all four vents up to the top of the unit to fully engage the top vent. The top vent snaps into the metal clips at the top of the frame very tightly. Gently apply pressure if needed. Then pull vents two, three, and four down.

# Cabana Doors Series CD90

*Amazing* EZ-SCREEN™  
**PORCH WINDOWS**  
A ROOM FOR 3 1/2 SEASONS

**Standard Full View Sizes:**      30" x 80"  
   32" x 80"  
   36" x 80"

**Maximum Custom Size Door:**      36" x 96"



**French Style Storm Doors:**      72" x 80"

Both our Storm and French Style Doors are complemented with a matching window unit inserted into our 2" thick door slabs.

**Standard Black Door Lever Included:**



# Cabana Door Series CD90

Features

Amazing EZ-SCREEN™  
**PORCH WINDOWS**  
A ROOM FOR 3 1/2 SEASONS

## Standard Features:

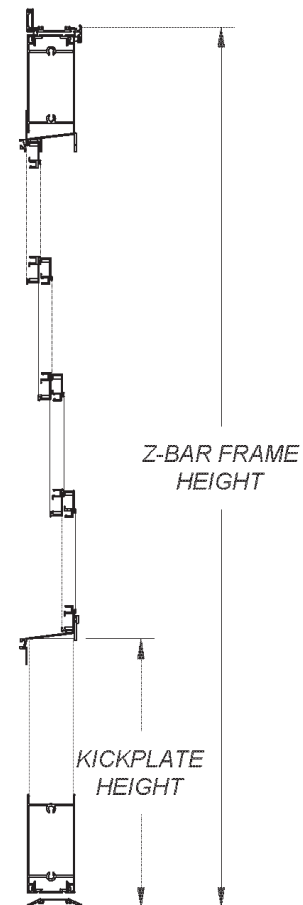
- Vertical Four Track Style – with 14 1/2" kickplate
- Traditional Z-Bar Frame
- Extruded aluminum main frame
- Frame depth 2 1/4"
- Glazed with 10-mil clear vinyl
- Single door style in standard nominal sizes
- Custom sizes available, max width 40," max height 96"
- Out-swing or In-swing styles available
- Installation fastener cover
- 6'8" doors pre-hung on three hinges
- 8'0" doors pre-hung on four hinges
- Factory installed 3/8" saddle threshold

## Optional Features:

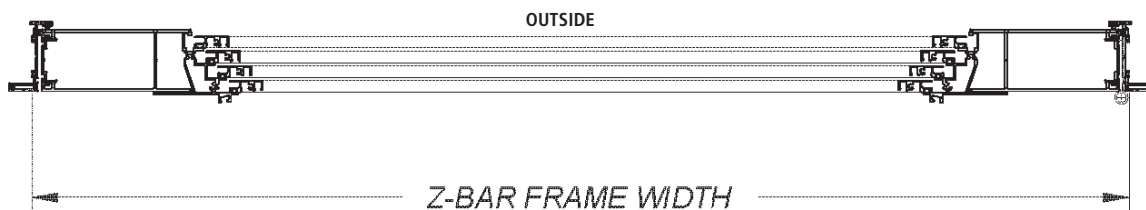
- Frame color options – bronze, white, beige, black or pebble khaki
- Vinyl color options – clear, smoke gray, bronze or dark gray
- Equal-leg or Box Frame Adapter
- Factory installed threshold options
  - Medium bumper 1 7/16"
  - High bumper 2"
- BetterVue 2020 charcoal – upgrade

Call Sales Representative for Custom Sizing.

Vertical Cross Section  
Side View



Horizontal Cross Section  
Top View



# Cabana Door Series CD90

Amazing EZ-SCREEN™  
**PORCH WINDOWS**  
 A ROOM FOR 3 1/2 SEASONS

## Vertical Four-Track Style:

Standard Size Doors Available

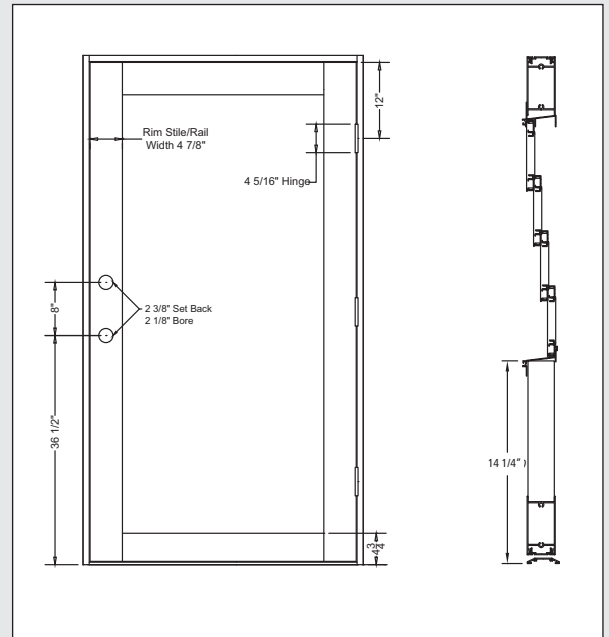
Required Rough Openings:  
 30 1/4" x 80 1/4"  
 32 1/4" x 80 1/4"  
 36 1/4" x 80 1/4"

Maximum Custom Size Door: 36" x 96"

## Thresholds:

Out-swing options:  
 Low/saddle: 3/8" Medium/bumper: 1 7/16" High/bumper: 2"

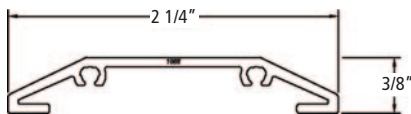
In-swing option:  
 Low/saddle: 3/8"



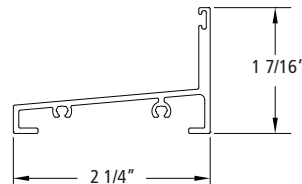
**Important Note:** Kickplate dimension is always measured from the bottom of the opening to the top of the kickplate.

## Out-Swing Options:

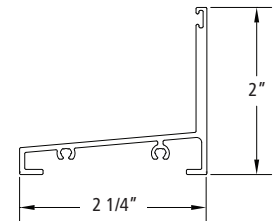
Low/saddle: 3/8"



Medium/bumper: 1 7/16"

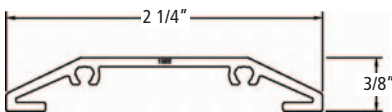


High/bumper: 2"



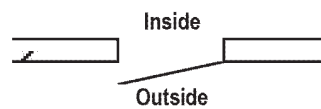
In-swing option:

Low/saddle: 3/8"

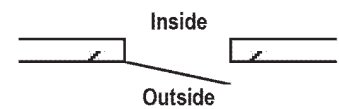


## Door Swing Options:

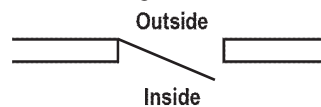
Out-Swing Hinge Right  
 (Left-Hand)



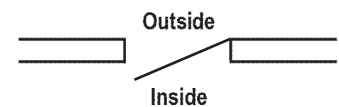
Out-Swing Hinge Left  
 (Right-Hand)



In-Swing Hinge Left  
 (Right-Hand)



In-Swing Hinge Right  
 (Left-Hand)



**Note:** This unit has been shipped pre-hung with threshold attached. Regardless of the direction of swing, all doors are installed from the exterior.

**Step 1:** With the door in the closed position, dry fit unit into opening to ensure proper fit before applying any sealant. Shim and level the threshold, if additional adjustment is needed, it can be detached from the frame. When using adjustable sweep, jambs may need to be trimmed to provide an even reveal at the threshold.

**Important:** Maintaining plumb, level, and square during installation is essential to the proper operation of the unit.

**Step 2: Z-Bar Frame:** Carefully remove the fastener cover from the z-bar flange to expose the pre-punched installation holes.  
**Box/Equal Leg Frame:** Skip to step 3.

**Step 3:** Remove unit from opening and caulk the outside perimeter of opening and along the floor where the threshold goes with the appropriate, approved sealant.

**Step 4:** Set the unit by seating the threshold first. Then swing the rest of the unit up into the opening. Shim and level the threshold first, then get the jambs plumb, level and true.

**Step 5: Z-Bar Frame:** Install fasteners in the pre-punched holes of the Z-Bar flange temporarily holding the frame in place.  
**Box/Equal Leg Frame:** Skip to step 6.

**Step 6:** From the inside, shim any gap between the opening and the door frame at each hinge location. Open the door and install fasteners in the pre-punched installation holes at each hinge location (Illustration A) starting from the top down. Initially, screws may be lightly fastened until equal reveal and good door operation is established. Close the door and check the reveal on the lock jamb side.

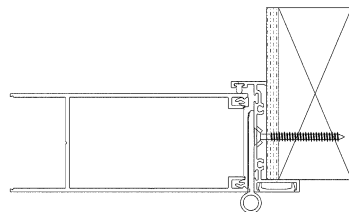
**Step 7:** Open the door and install the remaining fasteners in the pre-punched holes. Be sure to shim any gaps between the opening and the door frame at each anchor location.

**Step 8:** Replace the z-bar fastener cover.

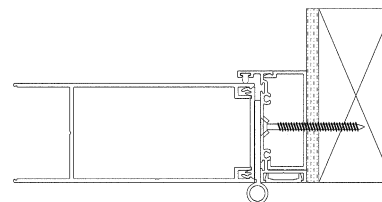
**Step 9:** Tighten any loosened fasteners.

**Step 10:** Seal any gaps or joints between frame and opening as needed.

**Step 11:** Install hardware according to the manufacturer's specifications and adjust strike plate(s) as needed.



Z-bar Frame



Equal Leg/Box Frame

Illustration A

# Standard Transom & Trapezoids

## Features

### Standard Features:

- Extruded aluminum main frame
- Frame depth 7/16"
- 1/2" front installation flange
- Glazed with 10-mil clear vinyl
- Spreader bar(s)
- Foam tape factory applied

### Sizing:

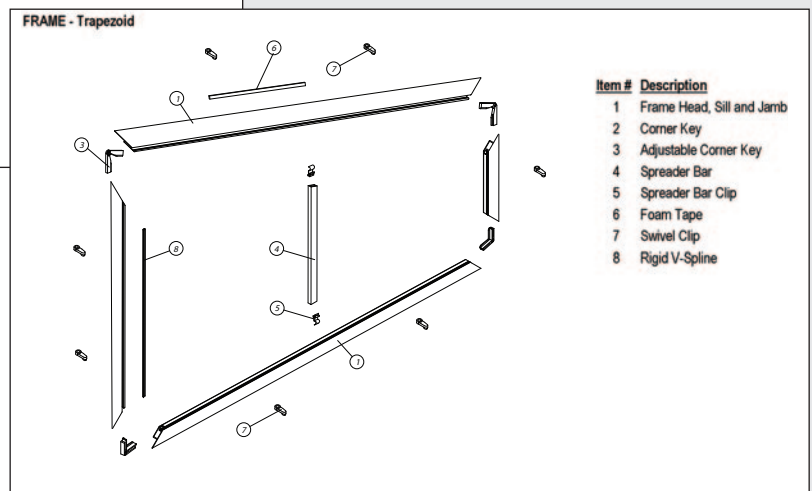
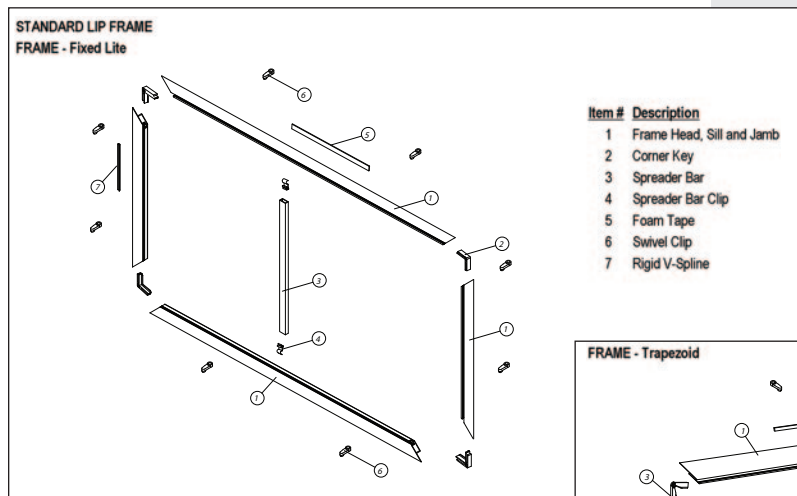
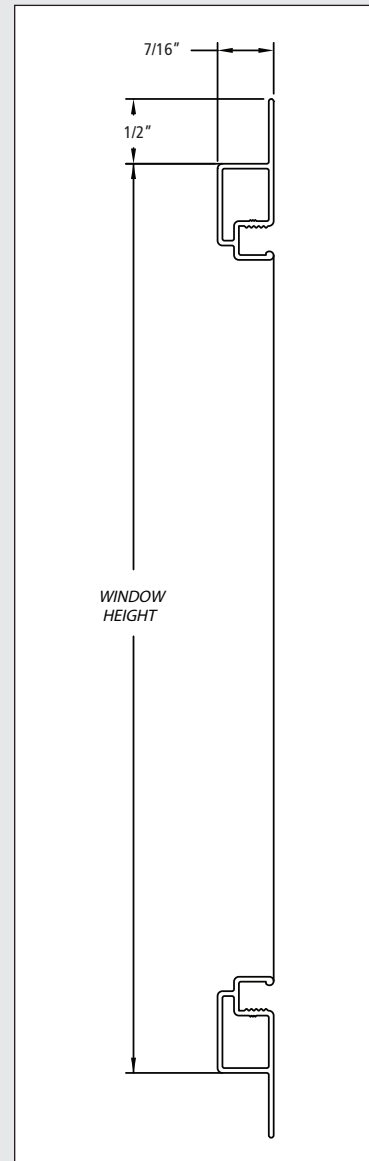
– Opening size with 1/8" deduction in width & height

### Optional Features:

- Frame color options – bronze, white, beige, black or pebble khaki
- Vinyl color options – clear, smoke gray, bronze or dark gray
- BetterVue 2020 charcoal – upgrade
- Turn (swivel) clips for easy removal
- Available as a trapezoid shape

### Sizing:

– Opening size with a 1/4" deduction in width & height  
 – Actual unit size with no deductions





# Heavy Duty Transom & Trapezoids

## Features

Amazing EZ-SCREEN™  
**PORCH WINDOWS**  
 A ROOM FOR 3 1/2 SEASONS

### Standard Features:

- Extruded aluminum main frame
- Frame depth 5/8"
- 7/8" front installation flange
- Glazed with 10-mil clear vinyl
- Spreader bar(s)
- Fully weather-stripped frame

### Sizing:

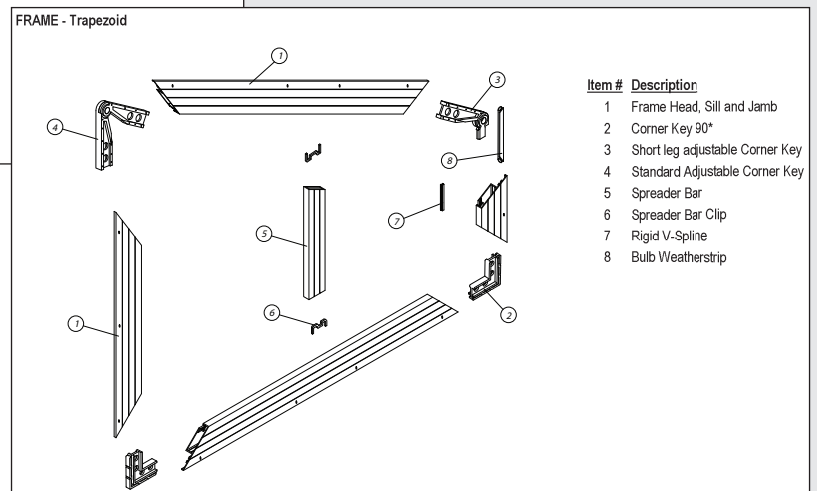
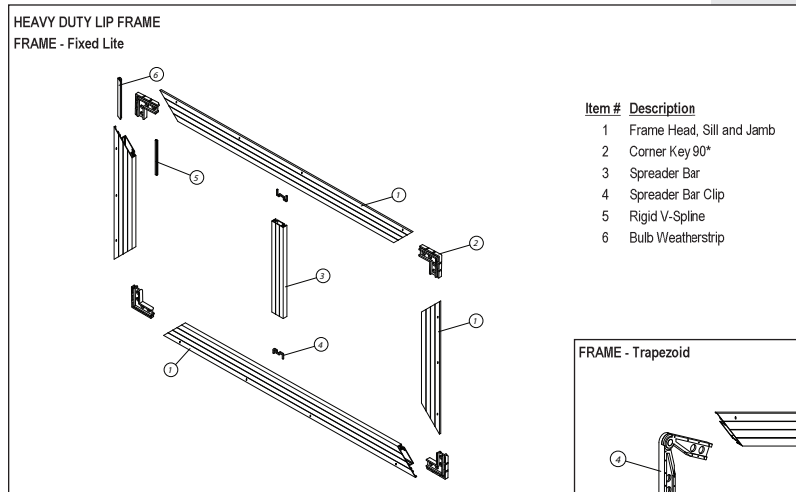
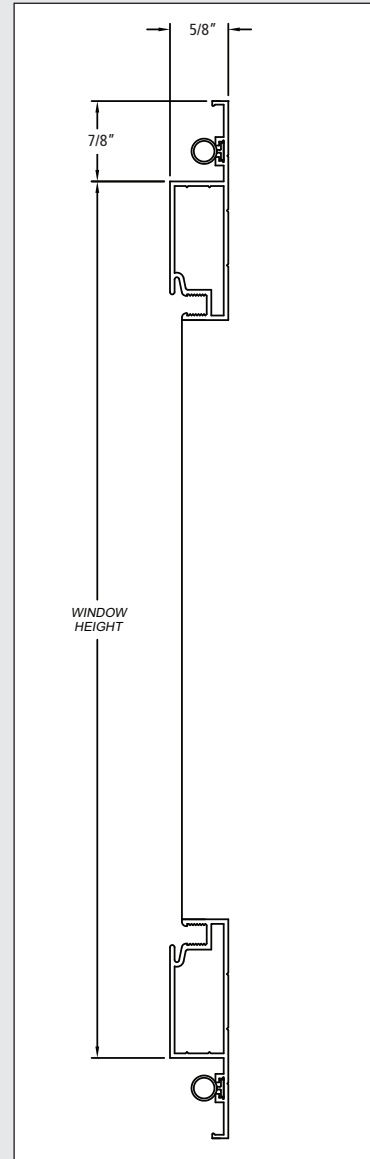
– Opening size with 1/8" deduction in width & height

### Optional Features:

- Frame color options – bronze, white, beige, black or pebble khaki
- Vinyl color options – clear, smoke gray, bronze or dark gray
- BetterVue 2020 charcoal – upgrade
- Turn (swivel) clips for easy removal
- Available as a trapezoid shape

### Sizing:

– Opening size with a 1/4" deduction in width & height  
 – Actual unit size with no deductions



# Rail Protection Options

In some installations a rail system may be required. You will want to check with your local building inspector for your specific project requirements.

## Alternative Rail Methods:

- Aluminum or Iron Rail mounted to the inside or the outside of the structure
- Fixed tempered glass unit below with our 4 track system above
- 36" knee wall
- Stainless Steel Cable Railing

We encourage you speak with your local building inspector for final approval.

